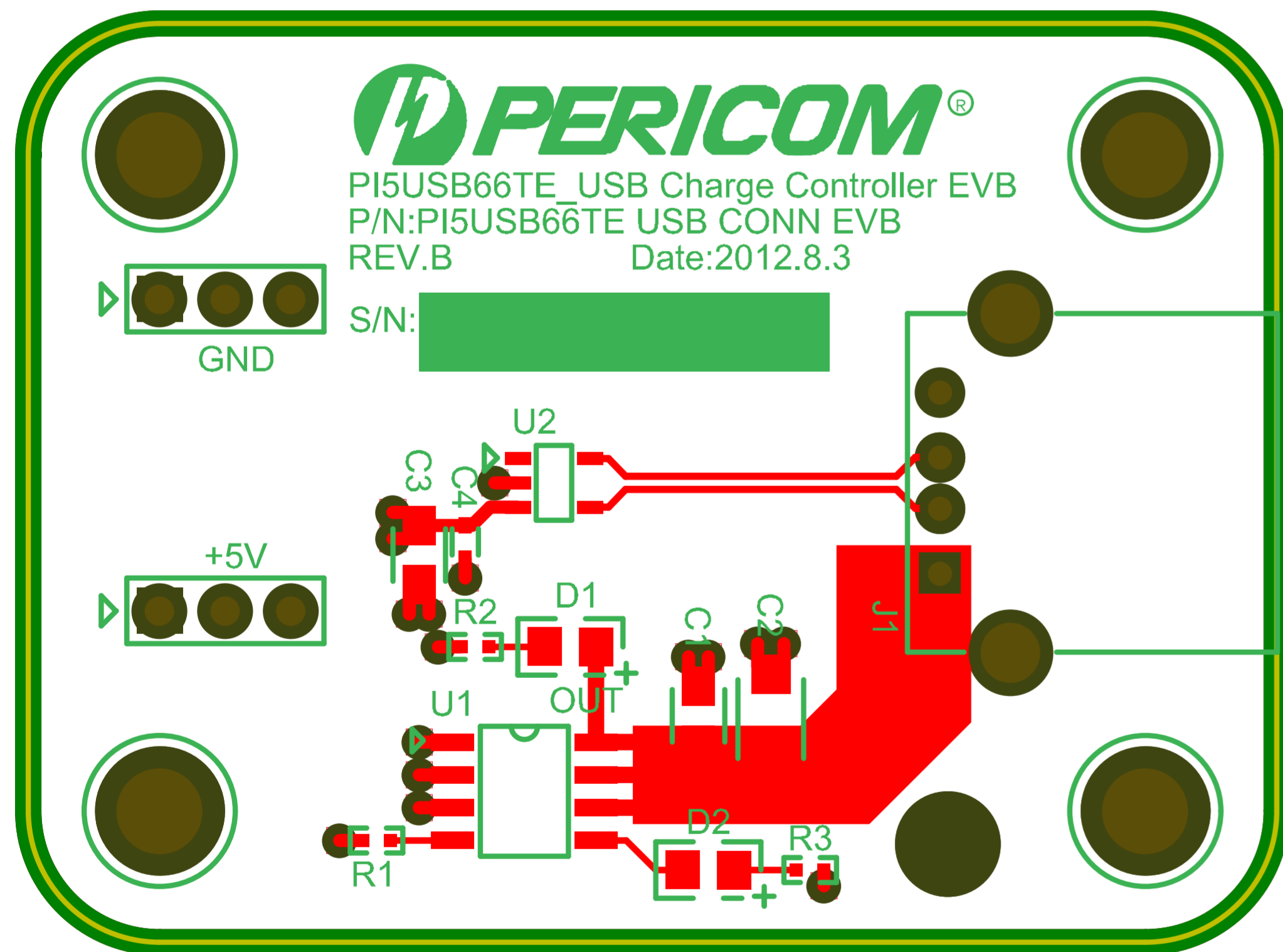


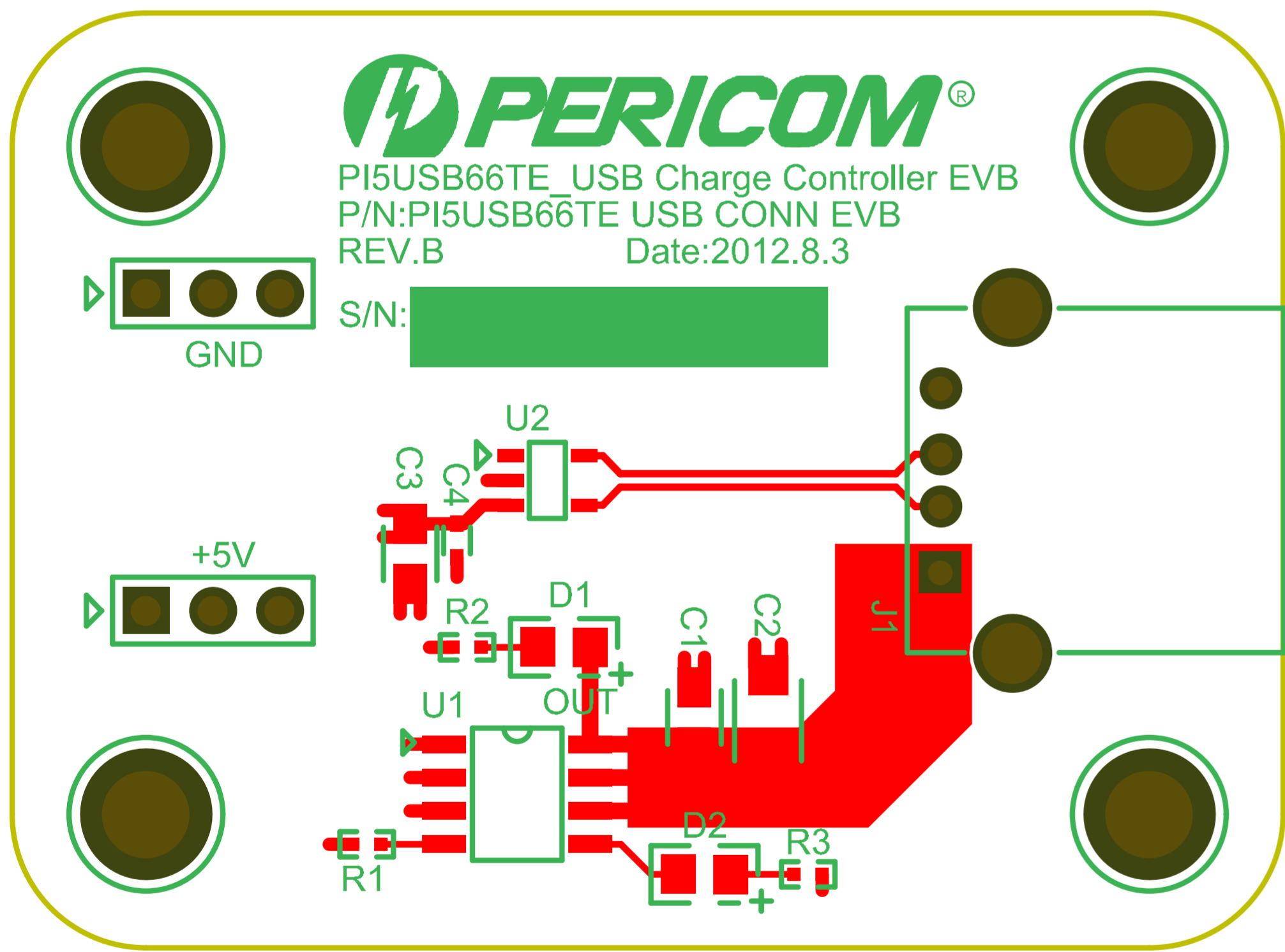
IMPEDANCE CHART

LAYER(S)	TRACE TYPE	SINGLE-ENDED IMPEDANCE REQ'D	DIFFERENTIAL-ENDED IMPEDANCE REQ'D	TOLERANCE
1	11/10/11mil	--	90ohm	+/- 10%
1	--	--	--	+/- 10%

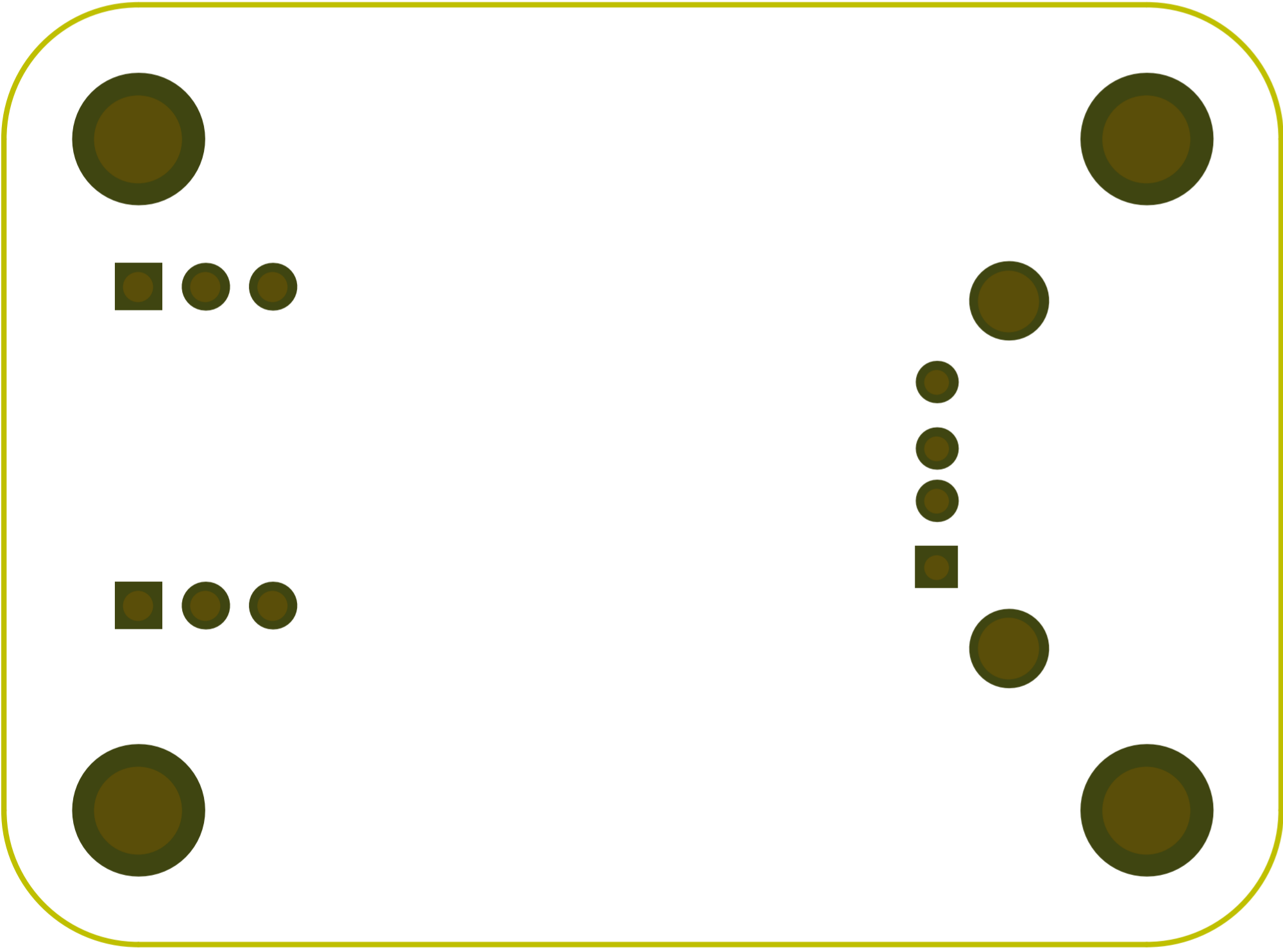



Pericom			
PCB NAME	PI5USB66TE_USB Charge Controller EVB		REV.B
DATE	08/3/20112	Dr awn by	Haojie Ci
TITLE	CONVERSION FROM 4 LAYER		
SHEET NUMBER	1	OF	10





<i>Pericom</i>			
PCB NAME	PI5USB66TE_USB Charge Controller EVB		REV.B
DATE	08/3/20112	Drawn by	Haojie Ci
TITLE	TOP SILK SCREEN LAYER		
SHEET NUMBER	5	OF	10



			
PCB NAME	PI5USB66TE_USB Charge Controller EVB		REV.B
DATE	08/3/20112	Drawn by	Haojie Ci
TITLE	BOTTOM SCREEN LAYER		
SHEET NUMBER	6	OF	10