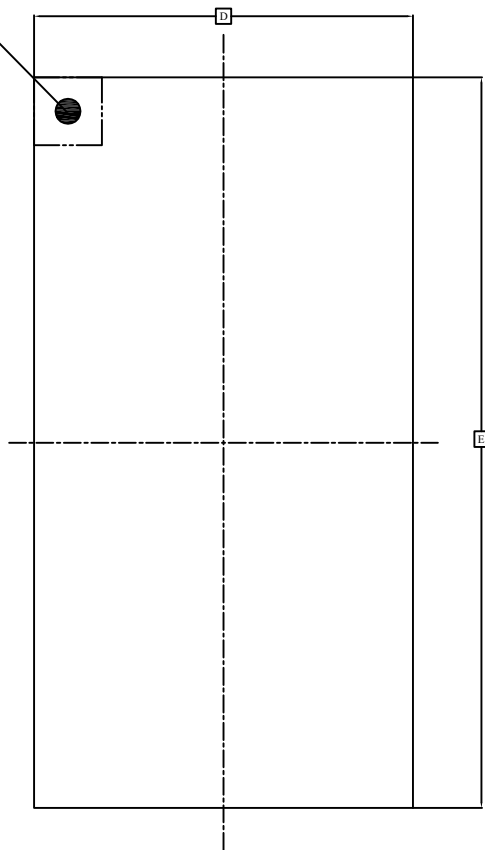
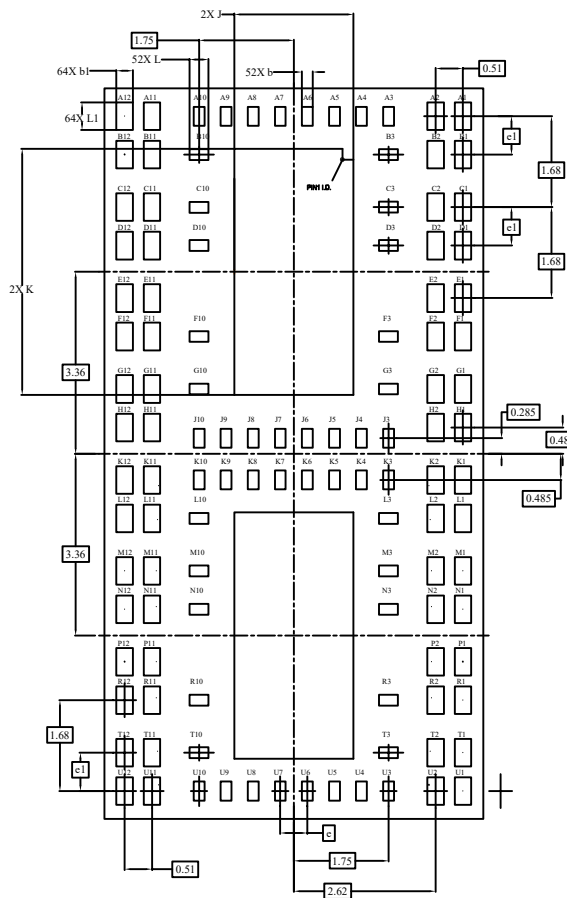
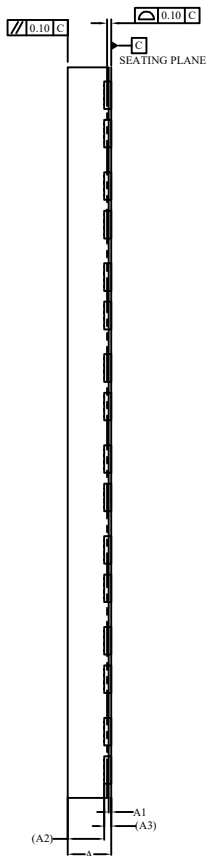


PIN1
Corner



TOP VIEW



BOTTOM VIEW

| SYMBOLS | MIN. | NOM. | MAX. |
|---------|------------|-------|-------|
| A | 0.75 | 0.80 | 0.85 |
| A1 | 0.02 | 0.05 | 0.08 |
| A2 | 0.675 REF. | | |
| A3 | 0.13 REF. | | |
| b | 0.15 | 0.20 | 0.25 |
| b1 | 0.255 | 0.305 | 0.355 |
| D | 6.90 | 7.00 | 7.10 |
| E | 13.4 | 13.5 | 13.6 |
| e | 0.50 BSC | | |
| e1 | 0.71 BSC | | |
| J | 2.10 | 2.20 | 2.30 |
| K | 4.45 | 4.55 | 4.65 |
| L | 0.25 | 0.35 | 0.45 |
| L1 | 0.46 | 0.51 | 0.56 |



DATE: 05/12/21

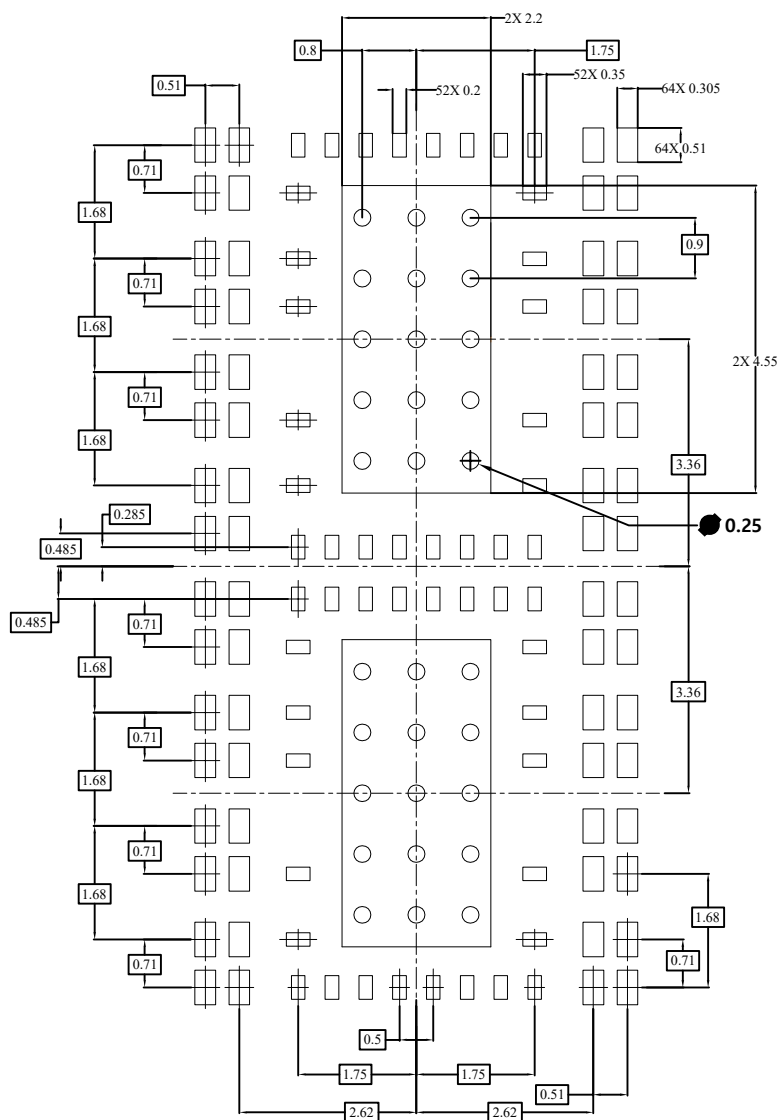
DESCRIPTION: V-QFN70135-116

PACKAGE CODE: ZXC (ZXC116)

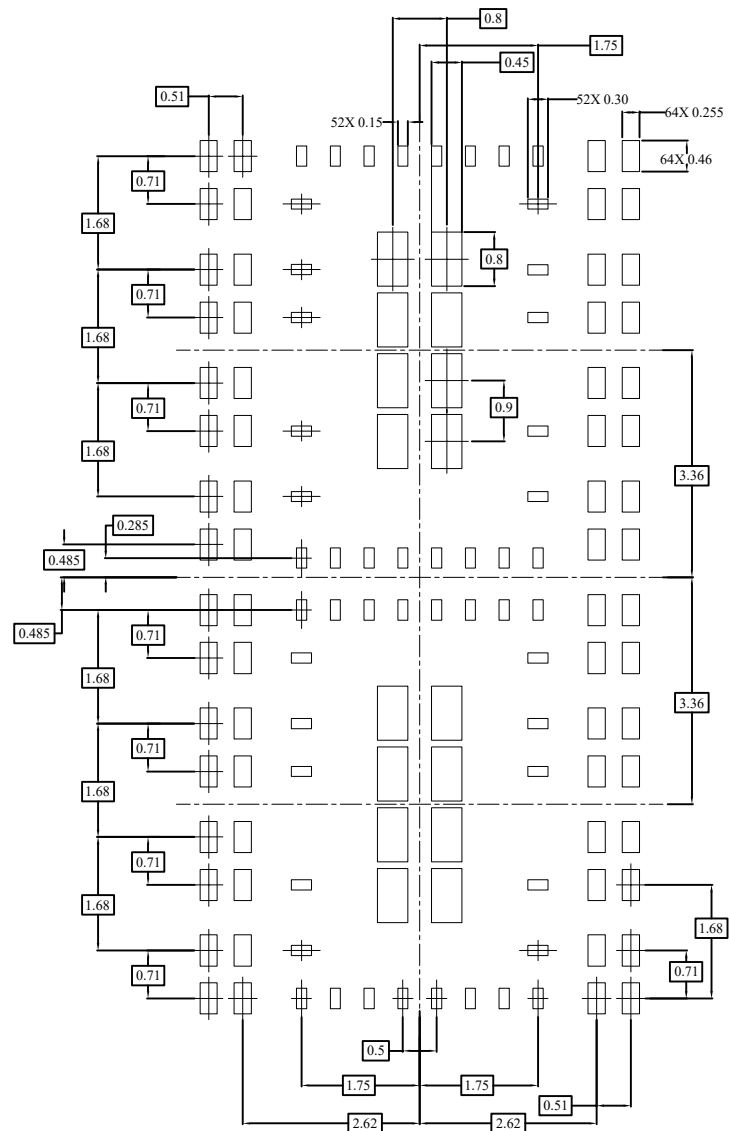
DOCUMENT CONTROL #: PD-2249

REVISION: --

NOTE :
1. ALL DIMENSIONS ARE IN mm. ANGLES IN DEGREES.



RECOMMENDED LAND PATTERN



RECOMMENDED STENCIL DESIGN

NOTE :

1. ALL DIMENSIONS ARE IN mm. ANGLES IN DEGREES.
2. RECOMMENDED LAND PATTERN IS FOR REFERENCE ONLY.
3. RECOMMENDED STENCIL DESIGN IS FOR REFERENCE ONLY.