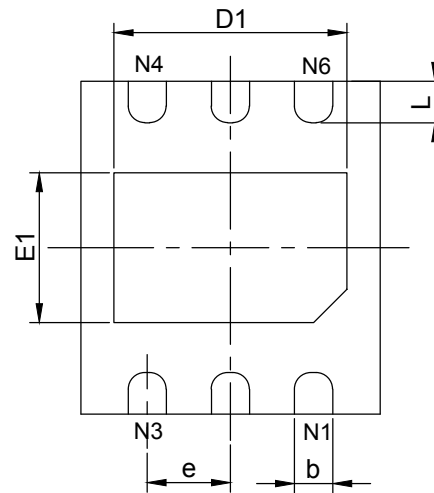
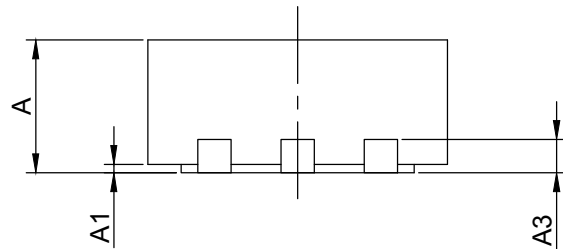


TOP VIEW



BOTTOM VIEW



SIDE VIEW

PKG. DIMENSIONS(MM)		
SYMBOL	Min	Max
A	0.45	0.55
A1	0.00	0.05
A3	0.15 REF	
D	1.72	1.88
E	1.92	2.08
D1	1.30	1.50
E1	0.80	1.00
b	0.18	0.28
e	0.50 TYP	
L	0.17	0.33

Note:

1. Ref: JEDEC MO-248E/MO-287A



DATE: 06/18/13

DESCRIPTION: 6-Pin, UDFN 1.8X2.0

PACKAGE CODE: ZV (ZV6)

DOCUMENT CONTROL #: PD-2120

REVISION: --