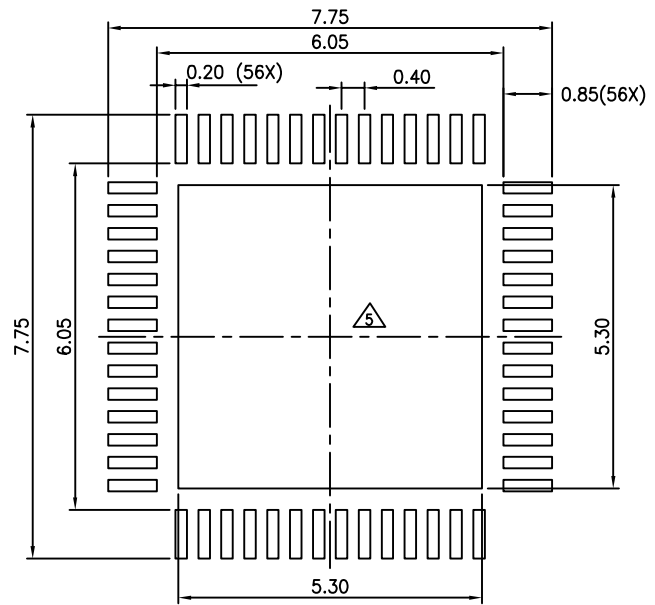
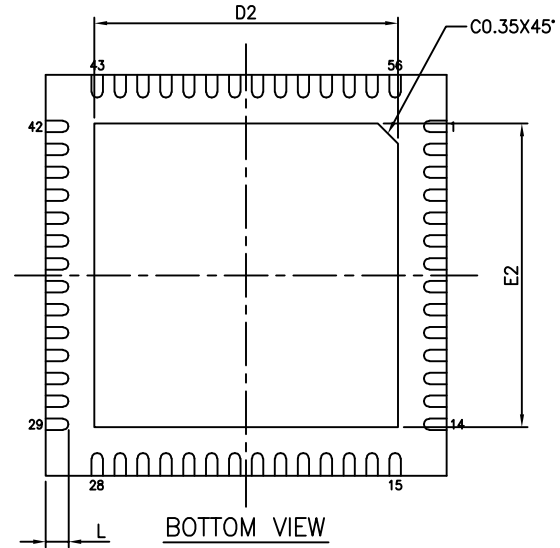
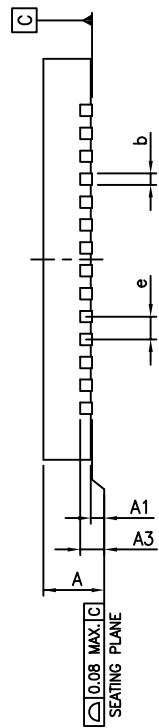




SYMBOLS	MIN.	NOM.	MAX.
A	0.80	0.85	0.90
A1	0.00	0.02	0.05
A3	0.203 REF.		
b	0.15	0.20	0.25
D	6.90	7.00	7.10
E	6.90	7.00	7.10
e	0.40 BSC		
L	0.35	0.40	0.45
D2	5.25	5.30	5.35
E2	5.25	5.30	5.35



- NOTE :
1. ALL DIMENSIONS ARE IN mm. ANGLES IN DEGREES.
 2. COPLANARITY APPLIES TO THE EXPOSED THERMAL PAD AS WELL AS THE TERMINALS.
 3. REFER JEDEC MO-220
 4. RECOMMENDED LAND PATTERN IS FOR REFERENCE ONLY.
 5. THERMAL PAD SOLDERING AREA (MESH STENCIL DESIGN IS RECOMMENDED).

 		DATE: 07/17/23
DESCRIPTION: V-QFN7070-56		
PACKAGE CODE: ZLF (ZLF56)		
DOCUMENT CONTROL #: PD-2285		REVISION: --