

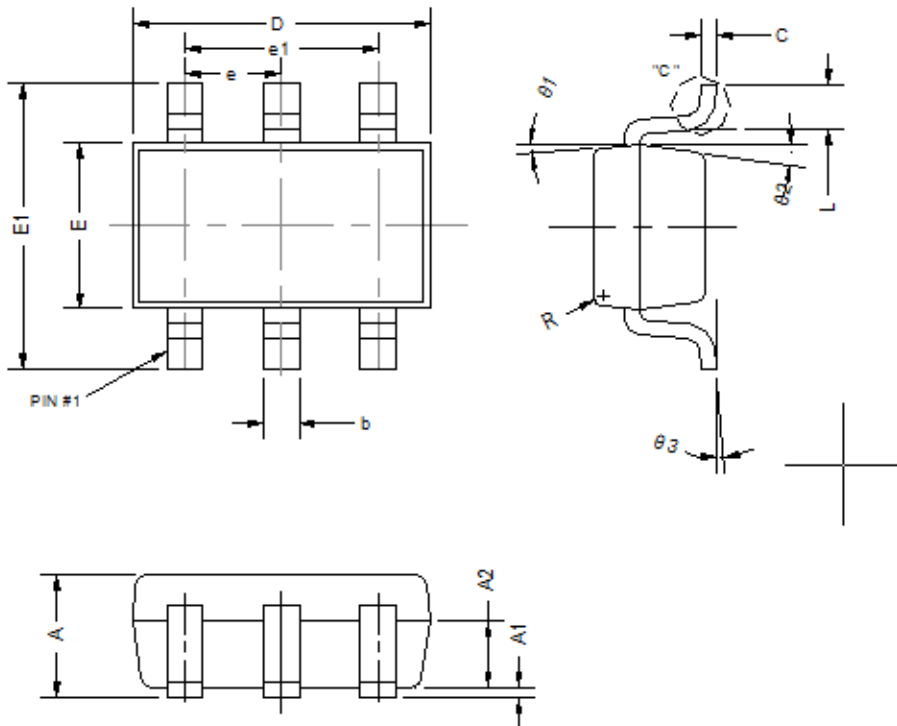
Package Outline Drawing

Mechanical Dimensions

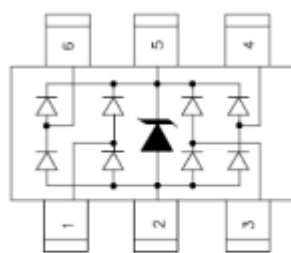
For Discrete

SOT23-6L

Unit: mm



SOT23-6L		
DIM.	MIN.	MAX.
A	0.90	1.45
A1	0.00	0.15
A2	0.90	1.3
b	0.30	0.5
c	0.08	0.22
D	2.45	3.00
E	1.50	1.75
E1	2.65	2.95
e	0.95 TYP.	
e1	1.90 TYP.	
L	0.30	0.60
All Dimensions in millimeter		



4 lines Protection

PIN ASSIGNMENT	
1, 3, 4, 6	I/O Lines
5	V _{CC}
2	Ground