

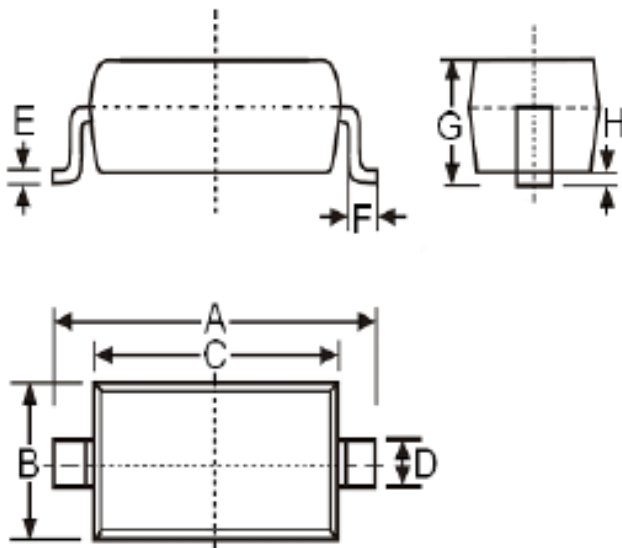
**Package Outline Drawing**

**Mechanical Dimensions**

**For Discrete**

**SOD-323**

**Unit: mm**



SOD-323		
Dim.	Min.	Max.
A	2.50	2.70
B	1.20	1.40
C	1.60	1.80
D	0.25	0.35
E	0.08	0.15
F	0.25	0.40
G	---	1.0
H	0.00	0.10
Dimensions in millimeter		