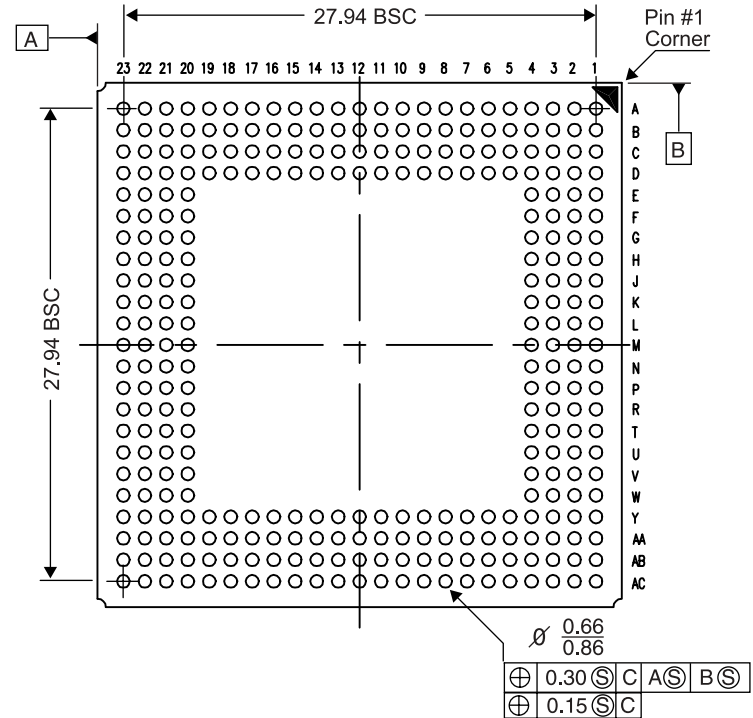
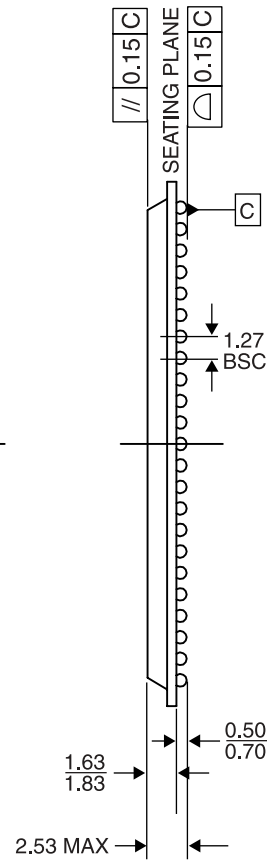
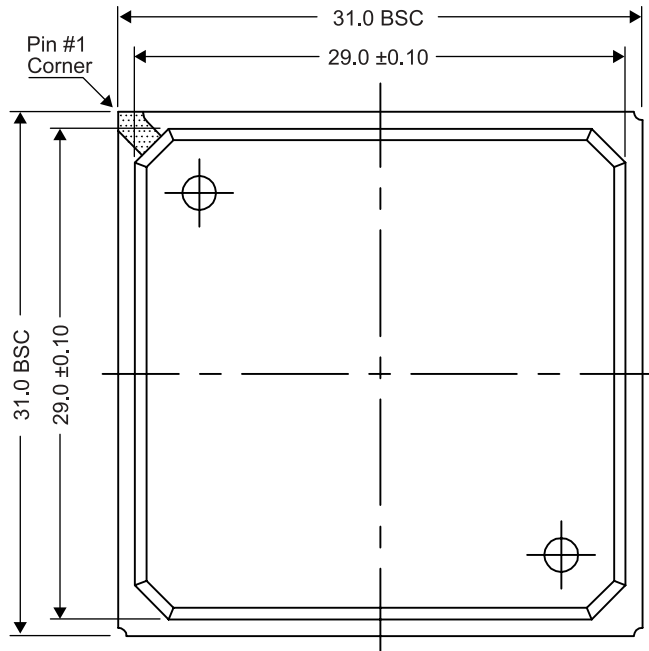


DOCUMENT CONTROL NO.  
PD - 2018

REVISION: -  
DATE: 10/10/02



**Notes:**

- 1) Controlling dimensions in millimeters
- 2) Ref: JEDEC MO-151



Pericom Semiconductor Corporation  
2380 Bering Drive, San Jose, CA 95131  
Tel: (408) 435-0800 • Fax: (408) 435-1100

DESCRIPTION: 304-Ball Plastic Ball Grid Array

PACKAGE CODE: NA-304