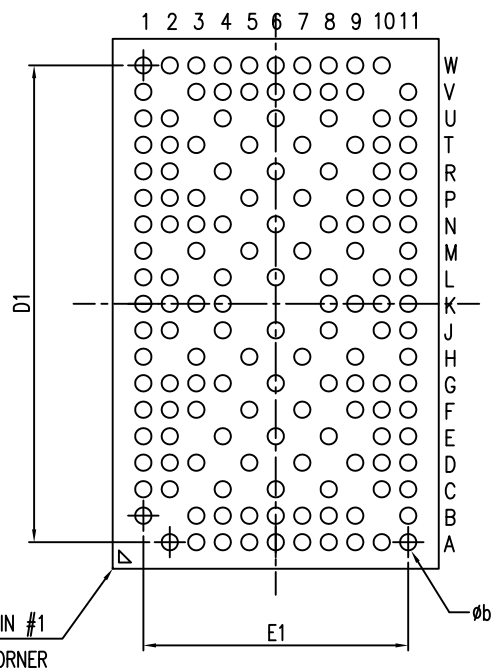
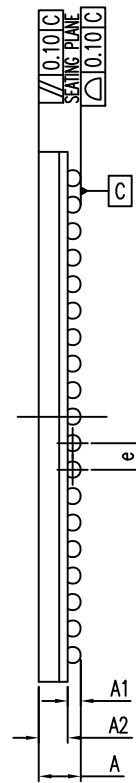


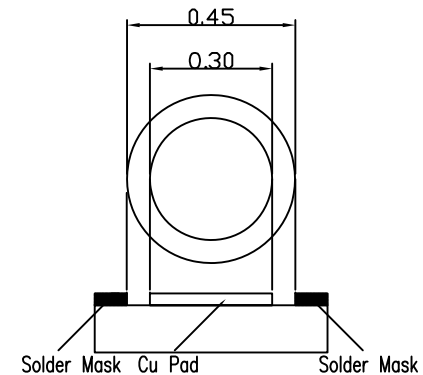
TOP VIEW



BOTTOM VIEW



SYMBOL	DIMENSION IN MM		
	MIN.	NOM	MAX.
A	1.10	1.18	1.26
A1	0.27	--	0.37
A2	0.86 REF.		
b	0.38	--	0.48
D	12.90	13.00	13.10
E	7.90	8.00	8.10
D1	11.70 BSC.		
E1	6.50 BSC.		
e	0.65 BSC.		



RECOMMENDED LAND PATTERN (not to scale)

NOTE :  
 1. ALL DIMENSIONS ARE IN MILLIMETER. ANGLES IN DEGREE.  
 2. REFER JEDEC MO-207



DATE: 02/24/16

DESCRIPTION: 150-Ball, LFBGA 8X13mm (0.4mm ball)

PACKAGE CODE: NN (NN150)

DOCUMENT CONTROL #: PD-2194

REVISION: A