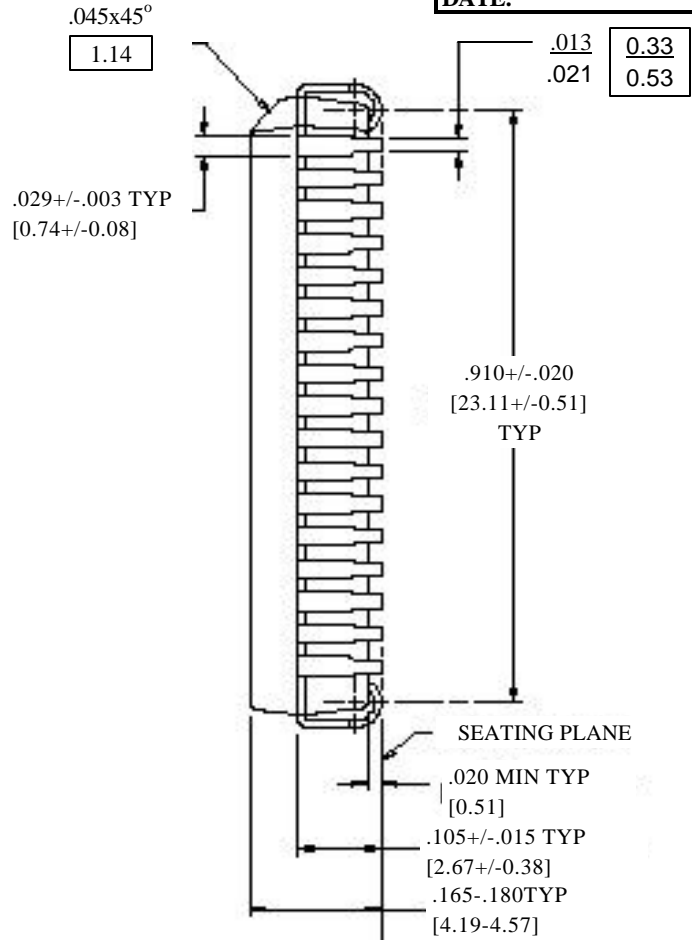
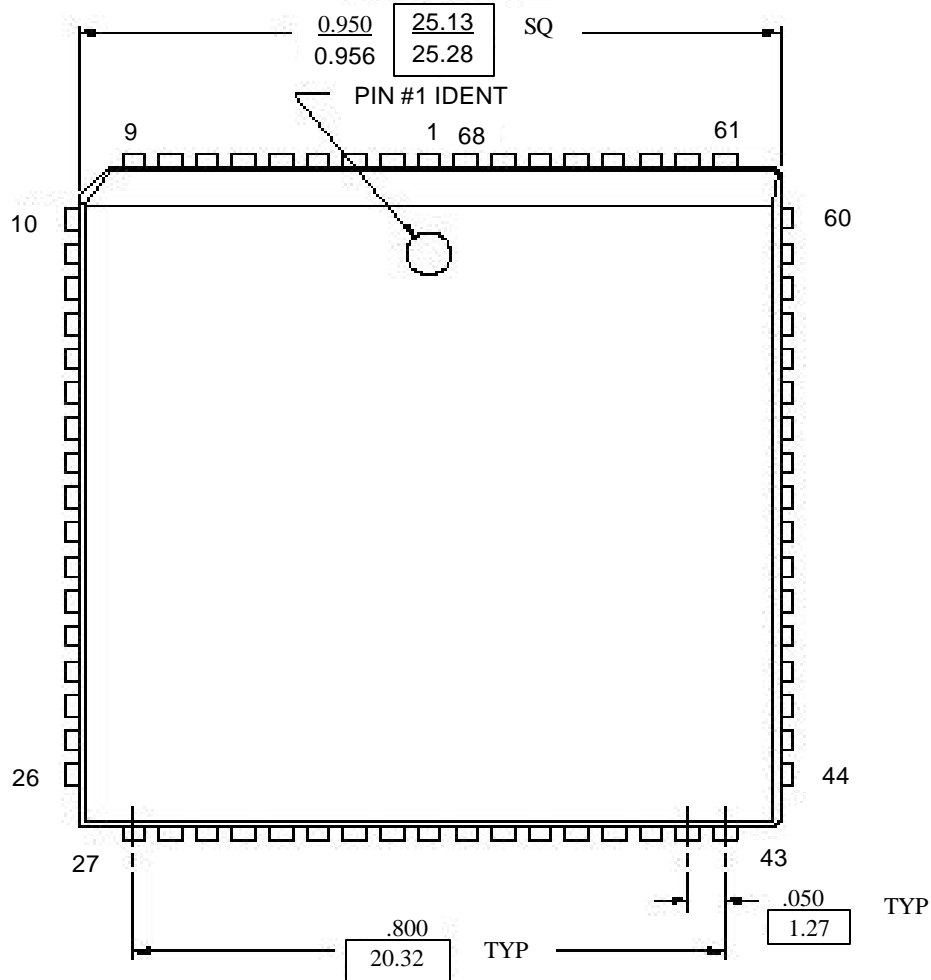


DOCUMENT CONTROL NO.

REVISION:
DATE:



$\boxed{X.XX}$ DENOTES DIMENSIONS
 $\boxed{X.XX}$ IN MILLIMETERS

- Note:**
- 1) Controlling dimensions in inches.
 - 2) Ref: JDDEC MS-047 AE

PT Pericom Technology Inc.

Pericom Technolgh (Shanghai) Co.Ltd.
3/F., 20 Building , Gui Ping Road, Shanghai,200233
Tel:(86-21)6485-0576. Fax: (86-21)6485-2181

DESCRIPTION: 68-Pin PLCC

PACKAGE CODE: J68