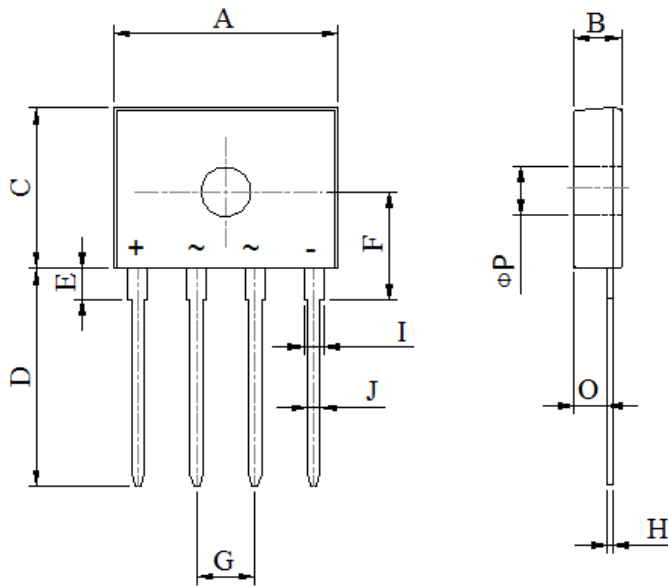


Packaging Information

Mechanical Dimensions
For Discrete

GBP

Unit: mm



GBP		
DIM.	MIN.	MAX.
A	14.2	14.7
B	2.9	3.3
C	10.1	10.7
D	13.8	14.4
E	1.8	2.2
F	6.65	7.25
G	3.71	3.91
H	0.4	0.6
I	1.2	1.4
J	0.64	0.84
O	1.8	2.4
P	3.1Φ	3.3Φ
All Dimensions in millimeter		