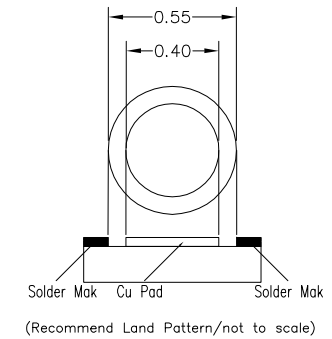
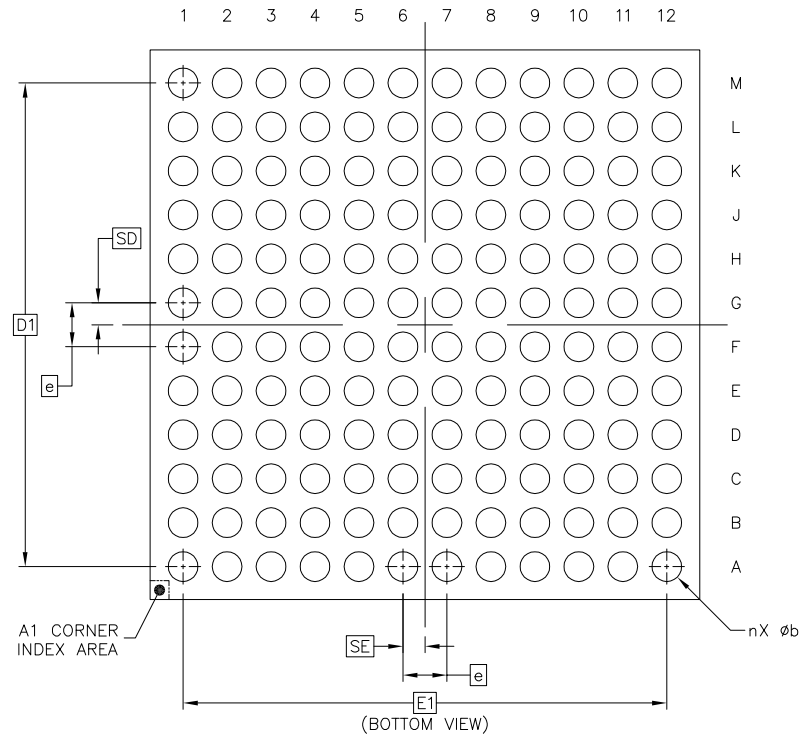


	SYMBOL	COMMON DIMENSIONS		
		MIN.	NOR.	MAX.
TOTAL THICKNESS	A	---	---	1.4
STAND OFF	A1	0.36	---	0.46
SUBSTRATE THICKNESS	A2	0.38		REF
MOLD THICKNESS	A3	0.45		REF
BODY SIZE	D	10		BSC
	E	10		BSC
BALL DIAMETER		0.5		
BALL WIDTH	b	0.44	---	0.64
BALL PITCH	e	0.8		BSC
BALL COUNT	n	144		
EDGE BALL CENTER TO CENTER	D1	8.8		BSC
	E1	8.8		BSC
BODY CENTER TO CONTACT BALL	SD	0.4		BSC
	SE	0.4		BSC
PACKAGE EDGE TOLERANCE	aaa	0.1		
MOLD FLATNESS	bbb	0.1		
COPLANARITY	ddd	0.15		



NOTES:
1. ALL DIMENSIONS ARE IN mm.

20-0463

DIODES **PERICOM**
INCORPORATED A PRODUCT LINE OF DIODES INCORPORATED
ENABLING SERIAL CONNECTIVITY

DATE: 05/27/20

DESCRIPTION: 144-Ball, FC-LFBGA100100-144

PACKAGE CODE: FCA (FCA144)

DOCUMENT CONTROL #: PD-2255

REVISION: --