

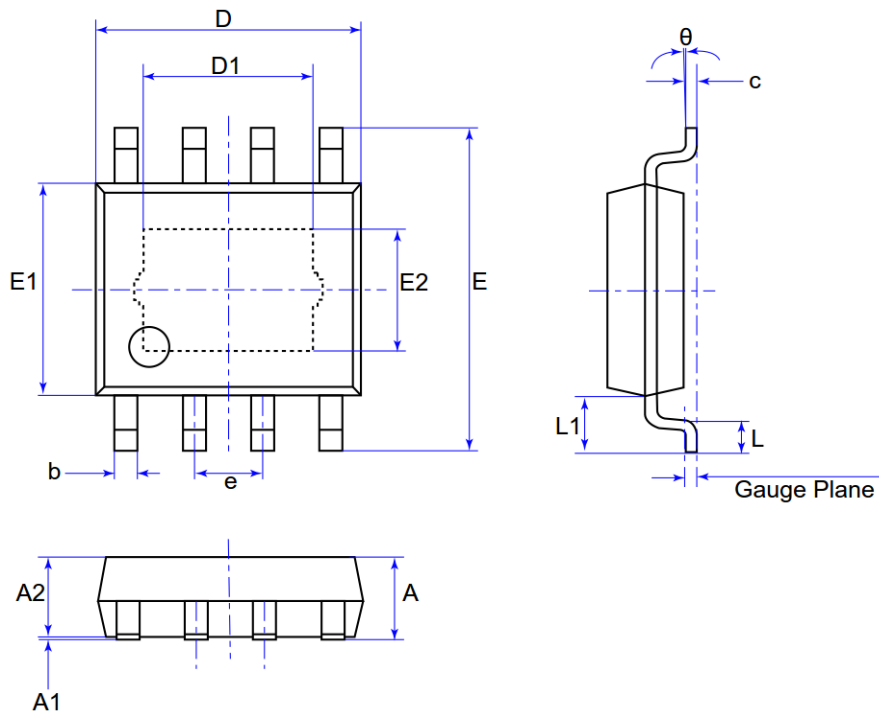
Package Outline Drawing

Mechanical Dimensions

For Analog

DRW-000038 (02)

ESOP-8L



Unit: mm

Symbol	Min	Max
A	-	1.70
A1	-	0.15
A2	1.30	1.55
b	0.33	0.51
c	0.17	0.25
D	4.70	5.10
D1	3.10 REF	
E	5.80	6.20
E1	3.70	4.10
E2	2.21 REF	
e	1.27 BSC	
L	0.40	1.27
L1	1.00	1.10
Gauge Plane	0.25 BSC	
theta	0°	8°