

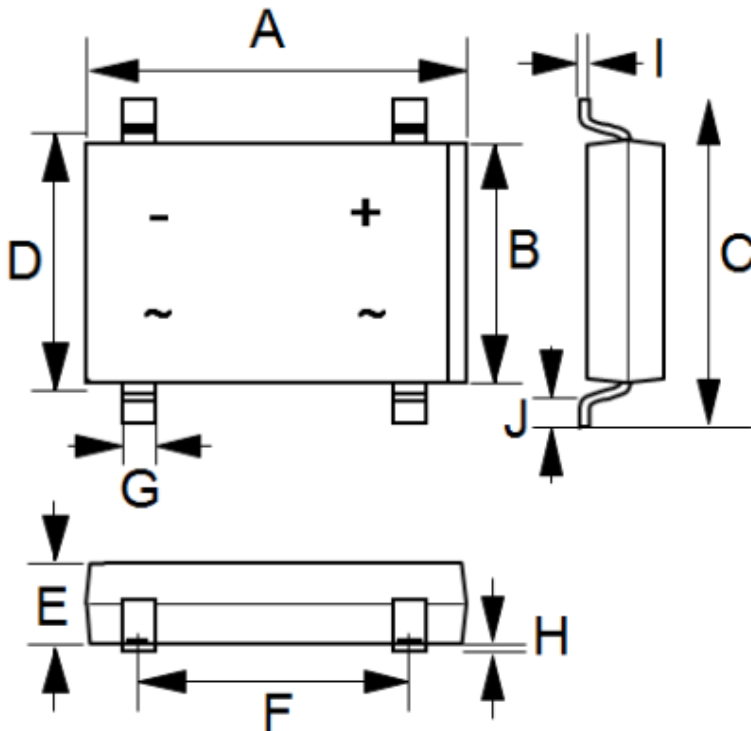
Packaging Information

Mechanical Dimensions

For Discrete

DFS

Unit: mm



DF-S		
DIM	MIN	MAX
A	8.20	8.50
B	6.20	6.50
C	9.80	10.30
D	7.40	7.90
E	2.40	2.60
F	5.00	5.20
G	1.00	--
H	.076	.330
I	.220	.300
J	1.02	1.53
All dimension in millimeter		