



DATE: 9th February, 2021

PCN #: 2506

PCN Title: Qualified Additional FL Series Package

Dear Customer:

This is an announcement of change(s) to products that are currently being offered by Diodes Incorporated.

We request that you acknowledge receipt of this notification within 30 days of the date of this PCN. If you require samples for evaluation purposes, please make a request within 30 days as well. Otherwise, samples may not be built prior to this change. Please refer to the implementation date of this change as it is stated in the attached PCN form. Please contact your local Diodes sales representative to acknowledge receipt of this PCN and for any sample requests.

The changes announced in this PCN will not be implemented earlier than 90 days from the notification date stated in the attached PCN form.

Previously agreed upon customer specific change process requirements or device specific requirements will be addressed separately.

For questions or clarification regarding this PCN, please contact your local Diodes sales representative.

Sincerely,

Diodes Incorporated PCN Team



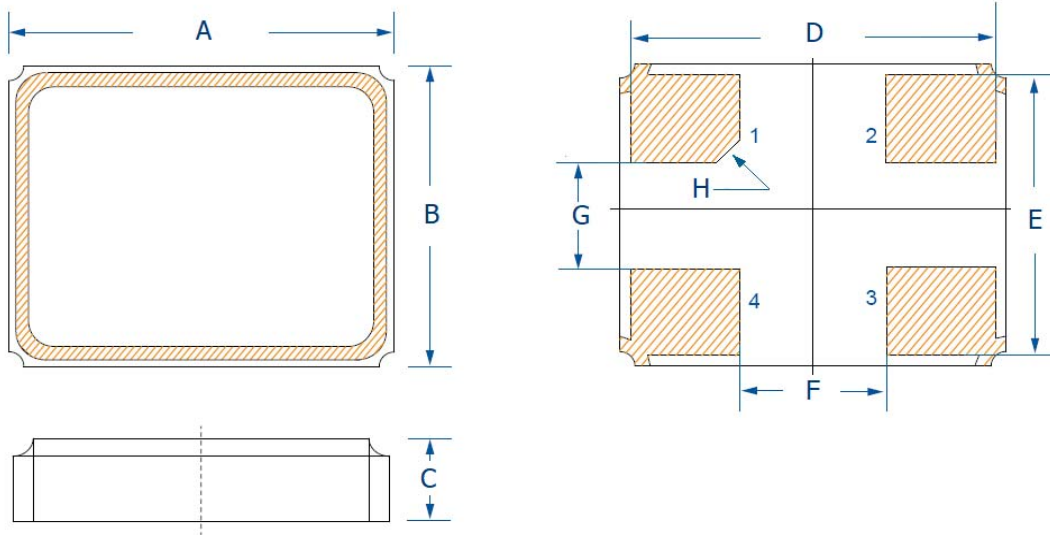
PRODUCT CHANGE NOTICE

PCN-2506 REV 1

Notification Date:	Implementation Date:	Product Family:	Change Type:	PCN #:
9 th February, 2021	9 th May, 2021	Analog Semiconductors	Qualified Additional Package	2506
TITLE				
Qualified Additional FL Series Package				
DESCRIPTION OF CHANGE				
<p>This PCN is being issued to notify customers that in order to assure continuity of supply, Diodes has qualified an additional FL series package TSP3225A1XRD28 and TSP3225A1XRD40 as second source.</p> <p>Full electrical characterization and high reliability testing has been completed on representative part numbers to ensure no change to device functionality or electrical specifications in the datasheet. Refer to the attached Qualification Report embedded in this file (to view, download this PCN file then open it with a PDF viewer to see the attached qual report).</p>				
IMPACT				
Continuity of Supply. No change in data sheet electrical parameters and product performance.				
PRODUCTS AFFECTED				
<p>Table 1 - Qualified Additional Package TSP3225A1XRD28 as Second Source Table A – Package Outline Comparison (POD) Kyocera KD-VB9991 vs. CTCC TSP3225A1XRD28 Table 2 - Qualified Additional Package TSP3225A1XRD40 as Second Source Table B – Package Outline Comparison (POD) Kyocera KD-VB5B86-A vs. CTCC TSP3225A1XRD40</p>				
WEB LINKS				
Manufacturer’s Notice:	https://www.diodes.com/quality/product-change-notices/diodes-product-change-notices/			
For More Information Contact:	http://www.diodes.com/contacts			
Data Sheet:	http://www.diodes.com/products			
DISCLAIMER				
<p>Unless a Diodes Incorporated Sales representative is contacted in writing within 30 days of the posting of this notice, all changes described in this announcement are considered approved.</p>				

Table 1 - Qualified Additional Package TSP3225A1XRD28 (A51020066) as Second Source					
FL0800001	FL0800013	FL0800024	FL0800044	FL1000008	FL1100001
FL0800002	FL0800017	FL0800033	FL0800046	FL1000009	FL1100002
FL0800003	FL0800019	FL0800038	FL0810004	FL1000011	FL1100007
FL0800007	FL0800021	FL0800043	FL1000002	FL1000022	FL1120010

Table A – Package Outline Comparison (POD)
Kyocera KD-VB9991 vs. CTCC TSP3225A1XRD28



	Current Package	New Package	
Dim	KD-VB9991	TSP3225A1XRD28	Tolerance
A	3.20	3.20	±0.1
B	2.50	2.50	±0.1
C	0.58	0.54	±0.1
D	3.00	3.00	±0.13
E	2.30	2.30	±0.13
F	1.20	1.20	±0.13
G	0.70	0.70	±0.13
H	0.25	0.30	NA
All Dimensions in mm			

Summary of Changes:

1. Dimension C: from 0.58±0.1mm to 0.54±0.1mm.
2. Dimension H: from 0.25mm to 0.30mm.



Table 2 - Qualified Additional Package TSP3225A1XRD40 (A51020068) as Second Source

FL1200006	FL1200128	FL1200245	FL1430008	FL1600054	FL1600175
FL1200010	FL1200129	FL1200251	FL1430009	FL1600055	FL1600177
FL1200011	FL1200130	FL1200253	FL1430013	FL1600057	FL1600180
FL1200012	FL1200131	FL1200256	FL1430018	FL1600060	FL1600188
FL1200018	FL1200132	FL1200257	FL1430019	FL1600062	FL1600190
FL1200021	FL1200133	FL1200258	FL1430024	FL1600067	FL1600191
FL1200023	FL1200134	FL1200259	FL1430030	FL1600068	FL1600192
FL1200044	FL1200135	FL1220009	FL1430032	FL1600070	FL1600197
FL1200046	FL1200136	FL1220013	FL1430033	FL1600071	FL1600200
FL1200048	FL1200137	FL1220016	FL1430035	FL1600074	FL1630030
FL1200050	FL1200138	FL1220017	FL1430036	FL1600080	FL1630037Z
FL1200051	FL1200141	FL1220019	FL1430037	FL1600081	FL1630044
FL1200053	FL1200153Z	FL1220021	FL1430041	FL1600082	FL1660003
FL1200055	FL1200155	FL1220023	FL1430048	FL1600083	FL1660005
FL1200059	FL1200156	FL1220025M	FL1430051	FL1600084	FL1660006
FL1200060	FL1200158	FL1220026	FL1430055	FL1600086	FL1660007
FL1200061	FL1200159	FL1220027	FL1430056	FL1600087	FL1690007
FL1200062	FL1200161	FL1220029	FL1470006	FL1600088	FL1720002
FL1200063	FL1200167	FL1220031	FL1470007	FL1600089	FL1840001
FL1200068	FL1200171	FL1220032	FL1470008	FL1600092	FL1840006
FL1200074	FL1200172	FL1250001	FL1470013	FL1600093	FL1840007
FL1200075	FL1200173	FL1280002	FL1470014	FL1600094	FL1840008
FL1200075Z	FL1200174	FL1280015	FL1470015	FL1600097	FL1840017
FL1200076	FL1200175	FL1300034	FL1470016	FL1600100	FL1920021
FL1200078	FL1200180	FL1330001	FL1470017	FL1600102	FL1920028
FL1200081	FL1200184	FL1350008	FL1470020	FL1600106	FL1920029
FL1200083	FL1200185	FL1350009	FL1470023	FL1600108	FL1920031
FL1200084	FL1200186	FL1350020	FL1470028	FL1600109	FL1920032
FL1200088	FL1200189Z	FL1350025	FL1470030	FL1600110	FL1920033
FL1200091	FL1200193	FL1350027	FL1500001	FL1600111Z	FL1920045
FL1200092	FL1200194	FL1350034	FL1500005	FL1600119	FL1920047
FL1200094	FL1200197	FL1350035	FL1500006	FL1600120	FL1920048
FL1200097	FL1200202	FL1350037	FL1500007	FL1600122	FL1920051
FL1200101	FL1200212	FL1350040	FL1600002	FL1600123W	FL1920053Z
FL1200103	FL1200216	FL1350042	FL1600011	FL1600124	FL1920059
FL1200105	FL1200217	FL1380003	FL1600034	FL1600125	FL1920060
FL1200109	FL1200218	FL1380005	FL1600035	FL1600128	FL1920061
FL1200112	FL1200221W	FL1380006	FL1600036	FL1600136	FL1920062
FL1200113Z	FL1200222	FL1380006A	FL1600037	FL1600146M	FL1940006
FL1200118	FL1200227	FL1380009	FL1600043	FL1600151	FL1940006Z
FL1200121	FL1200230	FL1380010	FL1600044	FL1600152	FL1960001Z
FL1200122	FL1200231	FL1380011	FL1600047	FL1600154	FL1960003
FL1200123	FL1200232	FL1380012	FL1600048	FL1600159	FL2000006
FL1200125	FL1200234	FL1400001	FL1600050	FL1600164	FL2000023
FL1200126	FL1200237	FL1430003	FL1600053	FL1600173	FL2000026

Table 2 cont. - Qualified Additional Package TSP3225A1XRD40 (A51020068) as Second Source

FL2000028	FL2000121	FL2400040	FL2400131	FL2400215	FL2500047
FL2000033	FL2000122	FL2400041	FL2400132	FL2400235	FL2500049
FL2000034	FL2000123Z	FL2400042	FL2400135	FL2400240	FL2500050
FL2000038	FL2000127	FL2400043	FL2400135Z	FL2400242	FL2500052
FL2000039	FL2000128	FL2400044	FL2400136	FL2400243	FL2500053
FL2000041	FL2000132Z	FL2400046	FL2400137	FL2400246	FL2500054
FL2000042	FL2000140	FL2400048	FL2400147	FL2400252	FL2500055
FL2000043	FL2000141	FL2400049	FL2400148	FL2400253	FL2500056
FL2000044	FL2000141W	FL2400050	FL2400150	FL2400254	FL2500057
FL2000048	FL2000142	FL2400051	FL2400152	FL2400256	FL2500058
FL2000051	FL2000143	FL2400052	FL2400153	FL2430009	FL2500059
FL2000056	FL2000144	FL2400056	FL2400154	FL2440001	FL2500060
FL2000057	FL2000148	FL2400058	FL2400155	FL2450024	FL2500062
FL2000058	FL2000154	FL2400062	FL2400157	FL2450025	FL2500064
FL2000059	FL2000164	FL2400063	FL2400158	FL2450032	FL2500065
FL2000060	FL2000168	FL2400065	FL2400159	FL2450038	FL2500066
FL2000061	FL2000171	FL2400066	FL2400165	FL2450048	FL2500069
FL2000065	FL2000175	FL2400067	FL2400167	FL2450058	FL2500073
FL2000067	FL2000176	FL2400068	FL2400168	FL2450059	FL2500075
FL2000068	FL2000182	FL2400072	FL2400169	FL2450063	FL2500076
FL2000070	FL2000187	FL2400074	FL2400170	FL2450064	FL2500076A
FL2000072	FL2000192	FL2400075	FL2400171	FL2500001	FL2500076Z
FL2000077	FL2000193	FL2400077	FL2400172	FL2500002	FL2500077
FL2000079	FL2000194	FL2400078	FL2400173	FL2500011	FL2500078
FL2000082	FL2000195	FL2400080	FL2400174	FL2500012	FL2500079
FL2000083	FL2000196	FL2400081	FL2400176	FL2500013	FL2500083
FL2000084	FL2050002	FL2400082	FL2400177	FL2500014	FL2500084
FL2000085	FL2070001	FL2400085	FL2400178	FL2500019	FL2500085
FL2000086	FL2090002	FL2400090	FL2400179	FL2500022	FL2500087
FL2000087	FL2180001	FL2400091	FL2400181	FL2500025	FL2500088
FL2000089	FL2190007	FL2400095	FL2400182	FL2500026	FL2500090
FL2000092	FL2210005	FL2400096	FL2400183	FL2500026A	FL2500091
FL2000095	FL2210006	FL2400097	FL2400184	FL2500028	FL2500092
FL2000098	FL2210007	FL2400101	FL2400185	FL2500029	FL2500093
FL2000099	FL2210008	FL2400103	FL2400186Z	FL2500031	FL2500094
FL2000099A	FL2210010	FL2400106	FL2400191	FL2500032	FL2500095
FL2000102	FL2210013	FL2400107	FL2400192	FL2500035	FL2500096
FL2000104	FL2250005	FL2400112Z	FL2400195Z	FL2500037Z	FL2500097
FL2000105	FL2250017	FL2400115	FL2400198	FL2500038	FL2500099Z
FL2000107	FL2400005	FL2400118	FL2400199	FL2500039	FL2500100
FL2000108	FL2400008	FL2400124	FL2400201	FL2500040	FL2500101
FL2000112	FL2400012	FL2400127	FL2400204	FL2500041	FL2500102
FL2000114	FL2400022	FL2400128	FL2400211	FL2500042	FL2500103
FL2000117	FL2400029	FL2400128W	FL2400213	FL2500044	FL2500105
FL2000120	FL2400034	FL2400129	FL2400214	FL2500046	FL2500106

Table 2 cont. - Qualified Additional Package TSP3225A1XRD40 (A51020068) as Second Source

FL2500107	FL2500179	FL2500272	FL2500343	FL2500440	FL2500534
FL2500108	FL2500182Z	FL2500273	FL2500344	FL2500441	FL2500537
FL2500109	FL2500183	FL2500274	FL2500348	FL2500443	FL2500538
FL2500111	FL2500186	FL2500278	FL2500350	FL2500445	FL2500539
FL2500112	FL2500187	FL2500279Z	FL2500356	FL2500446	FL2500540
FL2500115	FL2500187Z	FL2500281	FL2500358	FL2500450	FL2500544
FL2500117	FL2500188	FL2500283Z	FL2500360Z	FL2500451	FL2500546
FL2500119	FL2500191	FL2500284	FL2500365	FL2500452	FL2500547
FL2500120	FL2500194	FL2500286	FL2500366	FL2500453	FL2500550
FL2500121	FL2500203	FL2500287	FL2500369	FL2500454	FL2500551
FL2500121Z	FL2500207	FL2500291	FL2500370	FL2500456	FL2500553
FL2500123Z	FL2500209Z	FL2500292	FL2500373	FL2500457W	FL2500556
FL2500128	FL2500212	FL2500293	FL2500376	FL2500461	FL2600004
FL2500129	FL2500213Z	FL2500295	FL2500378	FL2500462	FL2600006
FL2500130	FL2500215	FL2500296	FL2500379	FL2500464	FL2600021
FL2500131	FL2500217	FL2500298	FL2500380	FL2500467	FL2600030
FL2500132	FL2500218	FL2500300	FL2500381	FL2500468	FL2600050
FL2500133	FL2500219	FL2500301	FL2500382	FL2500469	FL2600051
FL2500133Z	FL2500221	FL2500302	FL2500385	FL2500472	FL2600052
FL2500134	FL2500222	FL2500305	FL2500386	FL2500480	FL2600057
FL2500135	FL2500228	FL2500306	FL2500390	FL2500481	FL2600070
FL2500137Z	FL2500232	FL2500309	FL2500391	FL2500482	FL2600073
FL2500138	FL2500237	FL2500311	FL2500392	FL2500483	FL2600074
FL2500139	FL2500239	FL2500312	FL2500393	FL2500484	FL2600088
FL2500141	FL2500240	FL2500314	FL2500395	FL2500488	FL2600092
FL2500145	FL2500242	FL2500316	FL2500396	FL2500490	FL2600095
FL2500147Z	FL2500244	FL2500316Z	FL2500397	FL2500494	FL2600096
FL2500148	FL2500246	FL2500319	FL2500402	FL2500495	FL2600104
FL2500151	FL2500247	FL2500320	FL2500403	FL2500498	FL2600105
FL2500152	FL2500249	FL2500321	FL2500406	FL2500501	FL2600111
FL2500153	FL2500251	FL2500322Z	FL2500411	FL2500504	FL2600114
FL2500154Z	FL2500254	FL2500323	FL2500414	FL2500506	FL2600121
FL2500155Z	FL2500257	FL2500324	FL2500416	FL2500509	FL2600124
FL2500156	FL2500258	FL2500325	FL2500419	FL2500513	FL2600133
FL2500157	FL2500260Z	FL2500326	FL2500420	FL2500514	FL2600134
FL2500158	FL2500261Z	FL2500327	FL2500421	FL2500515	FL2600137
FL2500159	FL2500263	FL2500328	FL2500423	FL2500517	FL2600140
FL2500162	FL2500264	FL2500329	FL2500424	FL2500519	FL2600145
FL2500163	FL2500265	FL2500330	FL2500425	FL2500521	FL2600151
FL2500165	FL2500266	FL2500333	FL2500427	FL2500525	FL2600153Z
FL2500167	FL2500267	FL2500336	FL2500428	FL2500526	FL2600156
FL2500169	FL2500268	FL2500338	FL2500429	FL2500528	FL2600157Z
FL2500170	FL2500269	FL2500340	FL2500432	FL2500531	FL2600161
FL2500174	FL2500270	FL2500341	FL2500434	FL2500532	FL2600173Z
FL2500177	FL2500271	FL2500342	FL2500437	FL2500533	FL2600174

Table 2 cont. - Qualified Additional Package TSP3225A1XRD40 (A51020068) as Second Source

FL2600176	FL2700058	FL2710006	FL3000071	FL3200079	FL3740017
FL2600177Z	FL2700064	FL2710008	FL3000076	FL3200080Z	FL3740019Z
FL2600179	FL2700068	FL2710009	FL3000088	FL3200081	FL3740020Z
FL2600180	FL2700070	FL2710010	FL3120005	FL3200083	FL3740021Z
FL2600184	FL2700071	FL2710011	FL3120010	FL3200085	FL3740024
FL2600186	FL2700073	FL2710013	FL3120013Z	FL3200086	FL374WFBR1
FL2600187	FL2700074	FL2710014S	FL3120014Z	FL3200087	FL374WFBR2
FL2600188	FL2700075	FL2710015	FL3120015	FL3200088	FL374WFMR1
FL2600191	FL2700079	FL2710017	FL3120016	FL3200089	FL3750007
FL2600192Z	FL2700085	FL2710018	FL3200001	FL3200090	FL3750009
FL2600193Z	FL2700086	FL2710020	FL3200012	FL3200097	FL3750013Z
FL2600195	FL2700087	FL2710023	FL3200016	FL3200100	FL3750019
FL2600208	FL2700088	FL2710026	FL3200022	FL3200102	FL3800006
FL2600217	FL2700091Z	FL2820005	FL3200024	FL3200106	FL3800007
FL2600218	FL2700092	FL2830005	FL3200029	FL3200108	FL3800008
FL2600219	FL2700094Z	FL2830013	FL3200032	FL3240001	FL3800009
FL2600220	FL2700096	FL2860010	FL3200033	FL3300007	FL3840006
FL2600222	FL2700098	FL2860012	FL3200034	FL3300008	FL3840008
FL2600224	FL2700099	FL2860013	FL3200035	FL3300012	FL3840010
FL2600225	FL2700100	FL2860016	FL3200036	FL3300014	FL3840011
FL2600227	FL2700102Z	FL2860017	FL3200037	FL3300015	FL3840012
FL260WFMR1	FL2700103	FL2860019	FL3200038	FL3330003	FL3840015Z
FL260WFMT1	FL2700108	FL2860028	FL3200038Z	FL3330014	FL3840016Z
FL2700002	FL2700112	FL2860043	FL3200042	FL3330015	FL3840017
FL2700007	FL2700114	FL3000006	FL3200043	FL3500001	FL3840018
FL2700022	FL2700118	FL3000012	FL3200044	FL3500002	FL3840019W
FL2700023	FL2700120	FL3000018	FL3200046	FL3530003	FL3840020Z
FL2700026	FL2700121	FL3000019	FL3200047	FL3530006	FL3840022
FL2700028	FL2700122	FL3000027	FL3200051	FL3600002	FL3840023
FL2700029	FL2700125	FL3000032	FL3200054	FL3600013	FL3840024
FL2700033	FL2700129	FL3000034	FL3200055	FL3600016	FL3840026
FL2700036	FL2700130	FL3000037	FL3200057	FL3600020	FL3840027
FL2700036Z	FL2700131	FL3000038	FL3200062	FL3600023	FL3840028
FL2700039	FL2700133	FL3000040	FL3200063	FL3600024	FL3840030Z
FL2700041	FL2700135	FL3000041	FL3200064	FL3600029	FL3840034
FL2700041A	FL2700142	FL3000042	FL3200065	FL3640002	FL3840035
FL2700043	FL2700144	FL3000043	FL3200067	FL3720003Z	FL3840036
FL2700047	FL2700153	FL3000045	FL3200069	FL3740002	FL3840037
FL2700049	FL2700154	FL3000053	FL3200070	FL3740003	FL3840038Z
FL2700050	FL2700157	FL3000054	FL3200071Z	FL3740007	FL3840039
FL2700052	FL2700158	FL3000055	FL3200072	FL3740009	FL3840041
FL2700053	FL2700159	FL3000056	FL3200073	FL3740011	FL3840042
FL2700054	FL2710003	FL3000059	FL3200075	FL3740012	FL384WFIN1
FL2700056Z	FL2710004	FL3000063Z	FL3200077	FL3740015	FL3880003
FL2700057	FL2710005	FL3000069	FL3200078	FL3740016	FL3880004

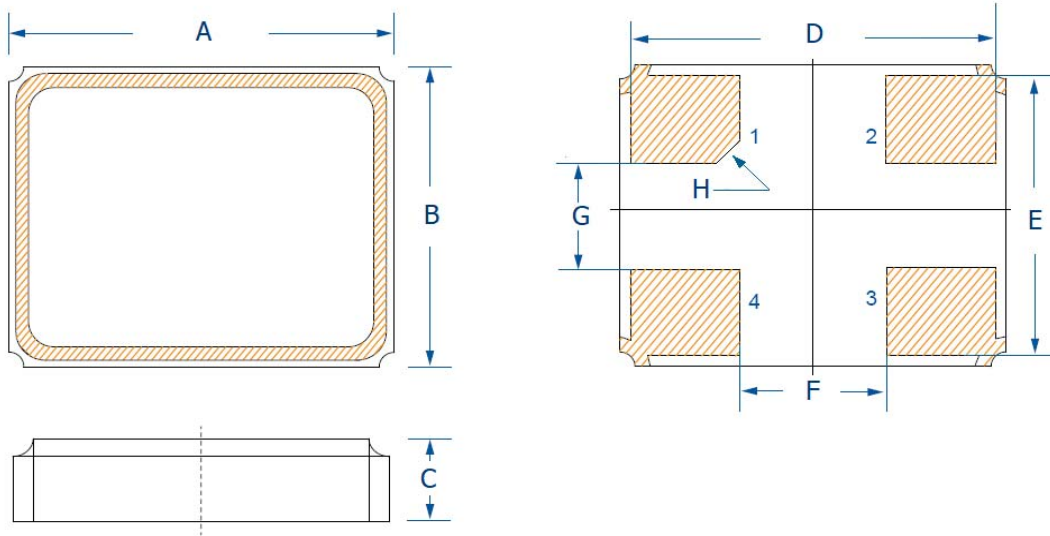
Table 2 cont. - Qualified Additional Package TSP3225A1XRD40 (A51020068) as Second Source

FL3900004	FL4000115Z	FL4000218	FL4480001	FL4800102	FL5000053
FL3900006	FL4000116	FL4000219	FL4700001	FL4800103	FL5000054
FL4000001	FL4000117	FL4000221	FL4800005	FL4800104	FL5000055
FL4000005	FL4000119	FL4000222	FL4800018	FL4800105	FL5000056
FL4000009	FL4000120	FL4000224	FL4800019	FL4800106	FL5000058Z
FL4000010	FL4000121	FL4000225	FL4800021	FL4800107	FL5000059
FL4000010A	FL4000124	FL4000226	FL4800023	FL4800108	FL5000060
FL4000011B	FL4000133	FL4000231Z	FL4800024	FL4800109	FL5000061
FL4000011H	FL4000137	FL4000234	FL4800030	FL4800110	FL5000062
FL4000012	FL4000138	FL4000237Z	FL4800031	FL4800112	FL5000063Z
FL4000023	FL4000141	FL4000238Z	FL4800032	FL4800115	FL5000064
FL4000026	FL4000146	FL4000239Z	FL4800033	FL4800116	FL5000065
FL4000030	FL4000148	FL4000240	FL4800034	FL4800118	FL5000066
FL4000032	FL4000149	FL4000246	FL4800036	FL4800120	FL5000067
FL4000034	FL4000150	FL4000249	FL4800037	FL4820001	FL5000068
FL4000035	FL4000151	FL4000257	FL4800041	FL4830002	FL5000070
FL4000038	FL4000154	FL4000260	FL4800043	FL4830003	FL5000071Z
FL4000040	FL4000155	FL4000261	FL4800044	FL4910001	FL5000073
FL4000041	FL4000157Z	FL4000266	FL4800045	FL4910002	FL5000074
FL4000043	FL4000158	FL4000267	FL4800049	FL4910005	FL5000077
FL4000044	FL4000160	FL4000270	FL4800051	FL4910007	FL5000079
FL4000045	FL4000163	FL4000271	FL4800052Z	FL5000006	FL5000084
FL4000046	FL4000164	FL4000273	FL4800057	FL5000010	FL5000086W
FL4000050	FL4000166	FL4000274	FL4800059	FL5000014	FL5000087W
FL4000055	FL4000167	FL4000275	FL4800060	FL5000017	FL5000088
FL4000061	FL4000169Z	FL4000277	FL4800061	FL5000019	FL5000091
FL4000064	FL4000170	FL4000279	FL4800062	FL5000021	FL5000092
FL4000065	FL4000171	FL4000280W	FL4800063Z	FL5000023	FL5000095W
FL4000065S	FL4000172	FL4000282Z	FL4800064	FL5000024	FL5000098
FL4000067	FL4000173	FL4000283	FL4800067	FL5000025	FL5000099
FL4000074	FL4000175	FL4000293	FL4800068	FL5000025A	FL5000100
FL4000075	FL4000177	FL4000295	FL4800069	FL5000029	FL5000105
FL4000077	FL4000178	FL4000296	FL4800070	FL5000034	FL5000107
FL4000081	FL4000181	FL4000297	FL4800072Z	FL5000036	FL5000111
FL4000083	FL4000187	FL4000299	FL4800074	FL5000037	FL5000112
FL4000091	FL4000191	FL4000300	FL4800076	FL5000038	FL5000114
FL4000093	FL4000194	FL4000303	FL4800078	FL5000039	FL5000115
FL4000094	FL4000195	FL4000305	FL4800079	FL5000040	FL5000117
FL4000095	FL4000196	FL4000306	FL4800084	FL5000044	FL5000118
FL4000096	FL4000199	FL4000307	FL4800085	FL5000044W	FL5000120
FL4000098	FL4000200	FL400WFMR1	FL4800086	FL5000046	FL5000121
FL4000101	FL4000204	FL400WFMT1	FL4800087	FL5000047	FL5000123
FL4000103	FL4000205Z	FL4040001	FL4800089	FL5000049	FL5000124
FL4000109	FL4000215	FL4100001	FL4800092	FL5000050	FL5000125
FL4000114	FL4000217	FL4160001	FL4800097	FL5000052	FL5000126

Table 2 cont. - Qualified Additional Package TSP3225A1XRD40 (A51020068) as Second Source

FL5000127	FL520WFMT1	FL5400022	FL5400051	FL6400003	FLB420002
FL5000128	FL5310005	FL5400024	FL5400052	FL6480001	FLB420003
FL5000129	FL5400010	FL5400031	FL5400053	FL6480003	FLB420004
FL5000130	FL5400011	FL5400033	FL5400056	FL6600007	FLB420007
FL5020002	FL5400012	FL5400040	FL5400058	FL6600008	NKS3HAA1-25.0000-20(T)
FL5200001	FL5400013	FL5400043	FL5520003	FL8000004Z	NKS3N/AD1-24.0000-18(T)
FL5200002Z	FL5400015	FL5400044	FL6000004	FLA000001Z	NKS3N/AD1-25.0000-18(T)
FL5200004	FL5400018	FL5400046	FL6240009	FLB420001	NKS3N/AK1-20.0000-16
FL5200006	FL5400019	FL5400047	FL6250001Z	FLB420001(>DC1633)	NKS3N/AK1-20.0000-16(T)
FL5200007	FL5400021	FL5400049	FL6250002	FLB420001X	SRX7322(T)

Table B – Package Outline Comparison (POD)
Kyocera KD-VB5B86-A vs. CTCC TSP3225A1XRD40



	Current Package	New Package	
Dim	KD-VB5B86-A	TSP3225A1XRD40	Tolerance
A	3.20	3.20	±0.1
B	2.50	2.50	±0.1
C	0.60	0.60	±0.08
D	3.00	3.00	±0.13
E	2.30	2.30	±0.13
F	1.20	1.20	±0.13
G	0.70	0.70	±0.13
H	0.25	0.40	NA
All Dimensions in mm			

Summary of Change:

Dimension H: from 0.25mm to 0.40mm.