



## PRODUCT/PROCESS CHANGE NOTICE (PCN)

PCN Number: **05-15**

Date: **4-Oct-2005**

Product(s) Affected: [SaRonix S1800, S1803, and S1850 series Clock Oscillators](#)

Manufacturing Location Affected: **N/A**

Date Effective: **1-Jan-2006**

Means of Distinguishing Changed Devices:

- Product Mark
- Back Mark
- Date Code
- Other [Package appearance](#)

Contact: **Ed Mello**

Title: **Director, Quality Systems**

Phone: **(408) 435-0800, Ext. 207**

Fax: **(408) 321-0324**

e-Mail: [emello@pericom.com](mailto:emello@pericom.com)

Attachment:  Yes;  No

Samples: [Available upon request.](#)

Description and Purpose of Change: [Ceramic package height is increasing from 1.15mm to 1.8mm. The industry-standard package height is 1.8mm. This change results in a product that utilizes industry-standard ceramic package materials, thereby improving availability.](#)

[IMPLEMENTATION PLAN:](#) Effective for orders received after 31-DEC-2005.  
[AVAILABILITY OF 1.15MM PACKAGE:](#) 1) Upon request, Pericom will accept last-time-buy orders for the 1.15mm package during the period from 1-JAN-2006 through 31-MAR-2006, however orders must be placed with a new part number of the format S18xxx-xx.xxxx(T)-L; restrictions may apply, including MOQ and NCNR. 2) Pericom reserves the right to ship the 1.15mm package for any order until such time that inventory is depleted.

- Die Technology
- Wafer Fabrication
- Assembly Process
- Equipment
- Material
- Testing
- Manufacturing Site
- Data Sheet
- Other \_\_\_\_\_

Reliability/Qualification Summary: [Pericom has been using 1.8mm height ceramic packages to construct other product series for more than five \(5\) years. For package-specific reliability information, please contact Pericom.](#)

Customer Acknowledgement of Receipt:

Customer: \_\_\_\_\_

Name: \_\_\_\_\_

Title: \_\_\_\_\_

Date: \_\_\_\_\_

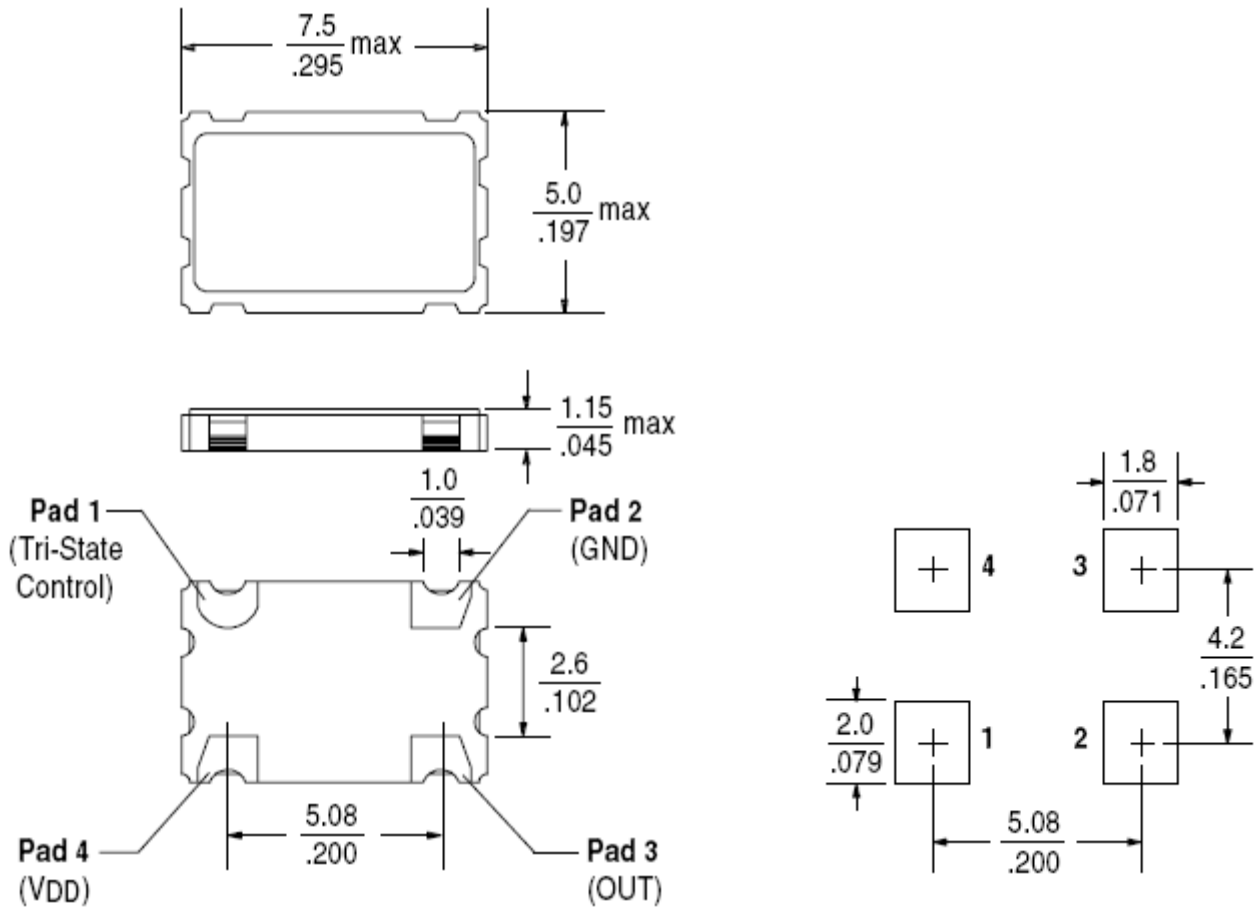
e-Mail: \_\_\_\_\_

Phone: \_\_\_\_\_

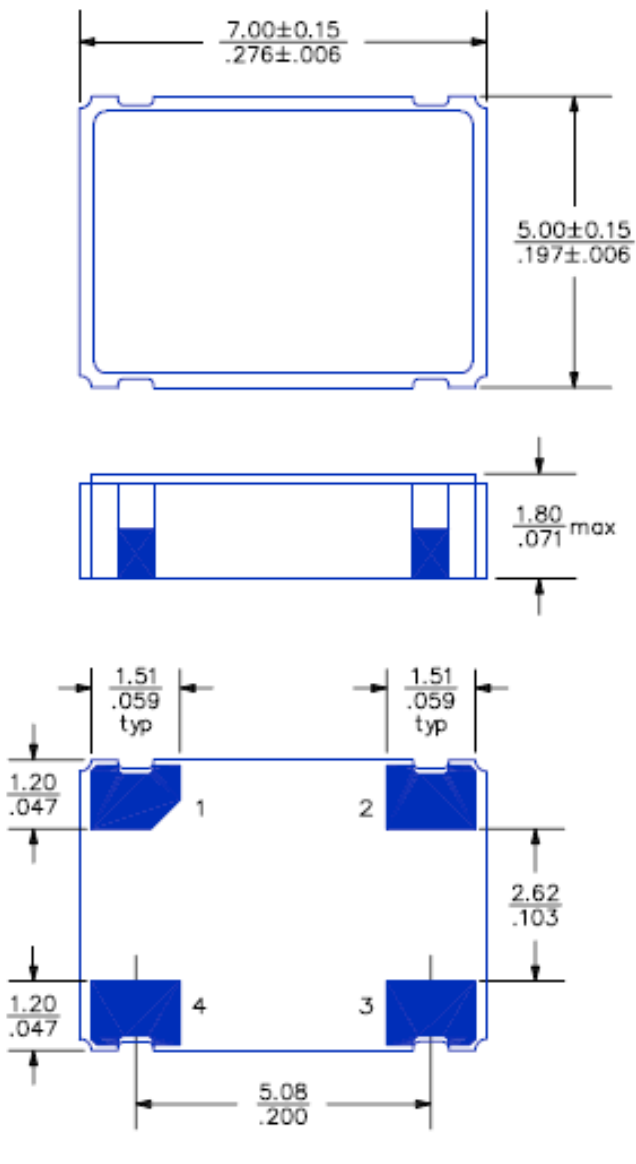
Fax: \_\_\_\_\_

Approval for shipments prior to effective date

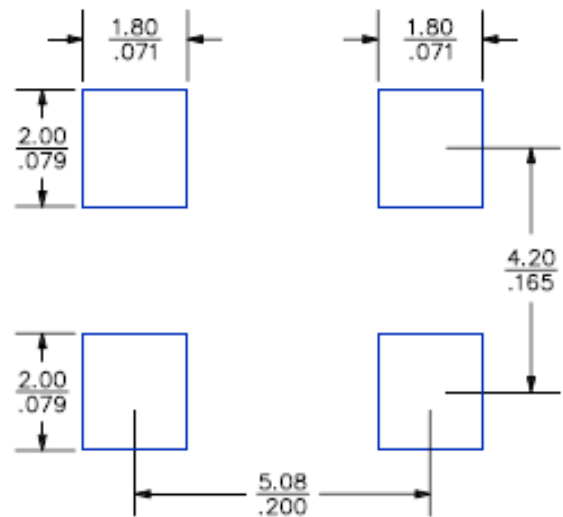
Customer Comments (Optional): \_\_\_\_\_



**Figure 1: Original Package and recommended land pattern**



RECOMMENDED LAND PATTERN



**Figure 2: New package and recommended land pattern**