



PRODUCT/PROCESS CHANGE NOTICE (PCN)

PCN Number: **05-14**
Date: **October 4, 2005**
Product(s) Affected: **SaRonix S1700, S1703, and S1750 Series Clock Oscillators**
Manufacturing Location Affected: *N/A*
Date Effective: **1-JAN-2006**

Means of Distinguishing Changed Devices:

- Product Mark
- Back Mark
- Date Code
- Other: Package appearance

Contact: **Ed Mello**
Title: **Director, Quality Systems**
Phone: **(408) 435-0800, Ext. 207**
Fax: **(408) 321-0324**
e-Mail: emello@pericom.com

Attachment: Yes; No

Samples: Available upon request.

Description and Purpose of Change: Ceramic package sealing method is changing from glass-frit (top/bottom half are ceramic material sealed by melting Pb-doped glass for hermeticity) to a seam-seal (ceramic bottom half with a metal lid stitch-welded for hermeticity). This change results in a product with 1) improved reliability, 2) improved frequency stability (both short- and long-term), and 3) reduced/eliminated Pb content.

- Die Technology
- Wafer Fabrication
- Assembly Process
- Equipment
- Material
- Testing
- Manufacturing Site
- Data Sheet
- Other: _____

IMPLEMENTATION PLAN: Effective for orders received after 31-DEC-2005.

AVAILABILITY OF GLASS-FRIT PACKAGE: 1) Upon request, Pericom will accept last-time-buy orders for the glass-frit package during the period from 1-JAN-2006 through 31-MAR-2006, however orders must be placed with a new part number of the format S17xxx-xx.xxxx(T)-G; restrictions may apply, including MOQ and NCNR. 2) Pericom reserves the right to ship the glass-frit package for any order until such time that existing inventory is depleted.

Reliability/Qualification Summary: Pericom/SaRonix has been using seam-sealed ceramic packages in other product series for more than five (5) years. For package-specific reliability information, please contact Pericom.

Customer Acknowledgement of Receipt:

Customer: _____

Name: _____

Title: _____

Date: _____

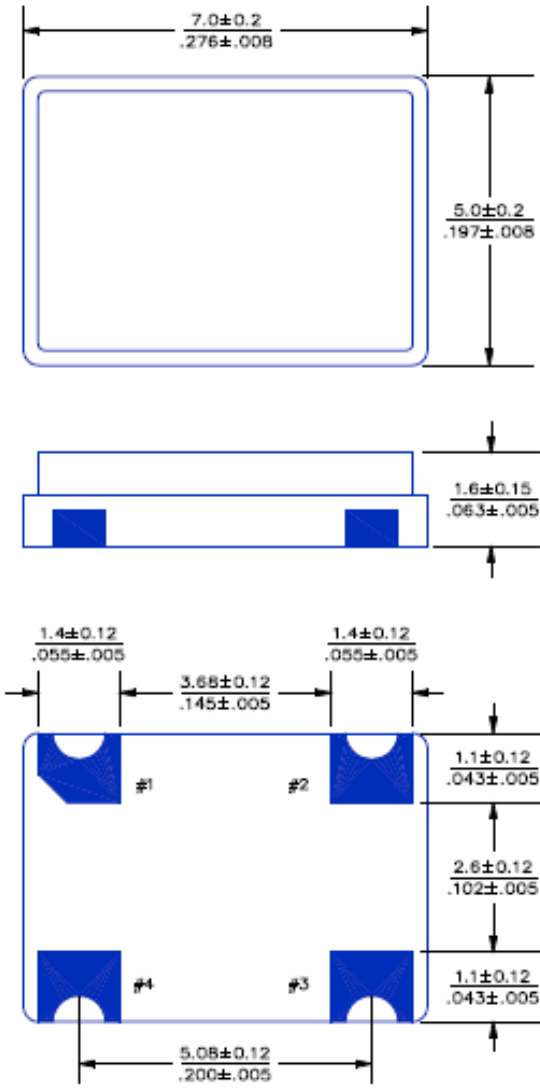
e-Mail: _____

Phone: _____

Fax: _____

Approval for shipments prior to effective date

Customer Comments (Optional): _____



RECOMMENDED LAND PATTERN

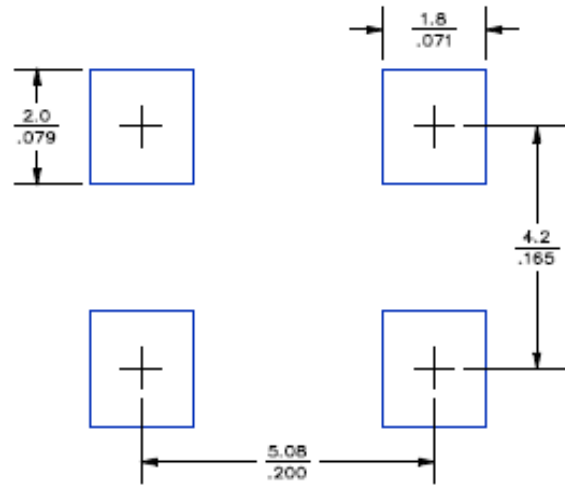
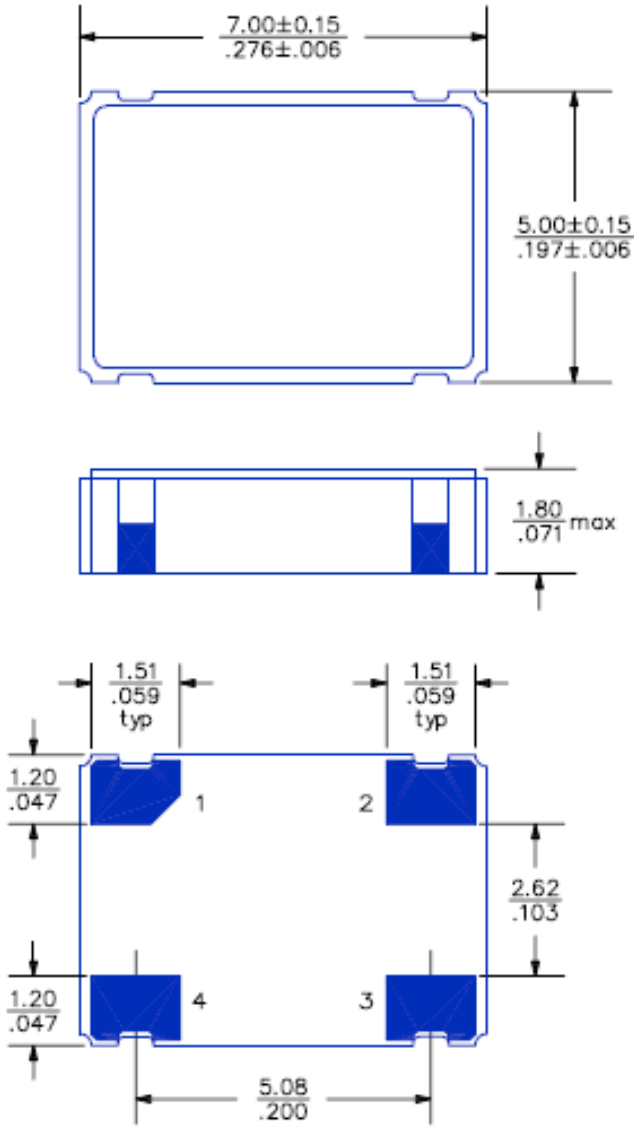


Figure 1: Original S17xx Package and recommended land pattern



RECOMMENDED LAND PATTERN

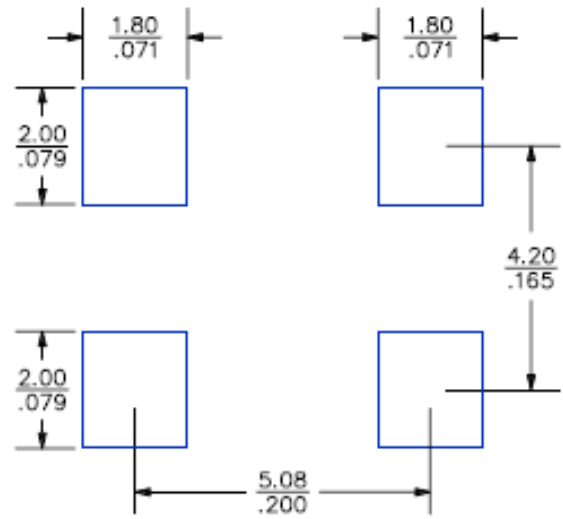


Figure 2: New S17xx package and recommended land pattern