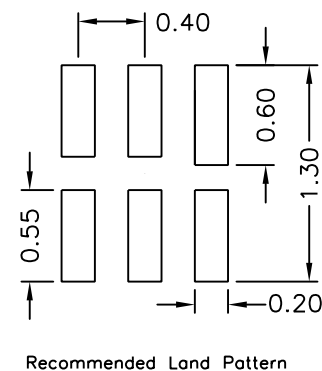


DETAIL A : TERMINAL THICKNESS FOR REFERENCE ONLY
NO MEASUREMENT PURPOSE



NOTE :

1. ALL DIMENSION ARE IN mm. ANGLES IN DEGREES.
2. COPLANARITY APPLIES TO THE EXPOSED PAD AS WELL AS THE TERMINALS
COPLANARITY SHALL NOT EXCEED 0.05 mm.
3. REFER JEDEC MO-236/MO-252



DATE: 01/28/08

DESCRIPTION: 6-contact, UltraThin Fine Pitch Dual Flat No Lead (UDFN)

PACKAGE CODE: ZR6

DOCUMENT CONTROL #: PD-2074

REVISION: --