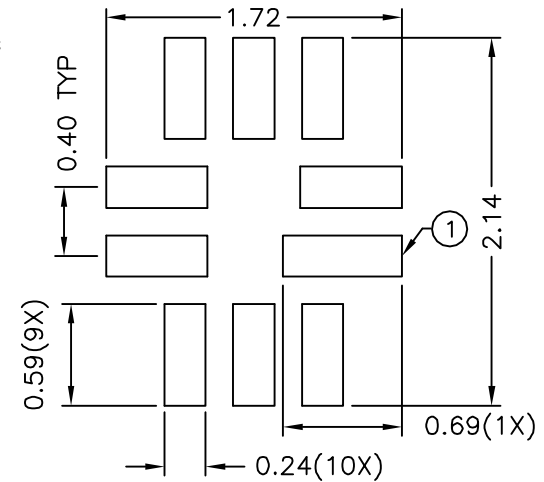
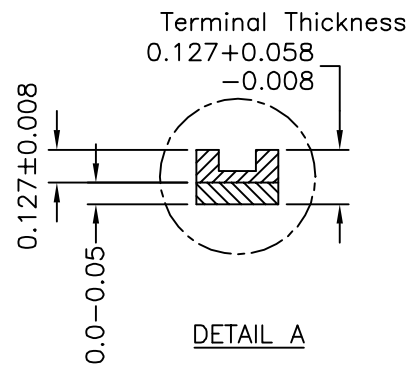
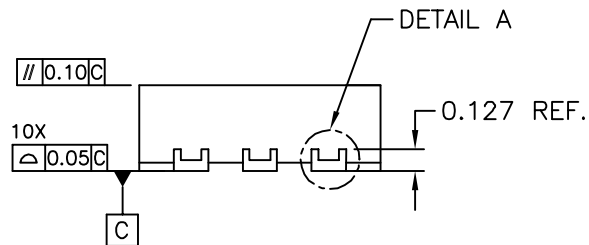


BOTTOM VIEW



RECOMMENDED LAND PATTERN (TOP VIEW)

NOTE :

1. ALL DIMENSIONS ARE IN mm. ANGLES IN DEGREES.
2. COPLANARITY APPLIES TO THE EXPOSED PAD AS WELL AS THE TERMINALS.
3. REFER JEDEC MO-236/MO-248
4. RECOMMENDED LAND PATTERN IS FOR REFERENCE ONLY.



DATE: 01/29/09

DESCRIPTION: 10-contact, Ultra-thin Quad Flat No-Lead (UQFN)

PACKAGE CODE: ZM10

DOCUMENT CONTROL #: PD-2066

REVISION: A