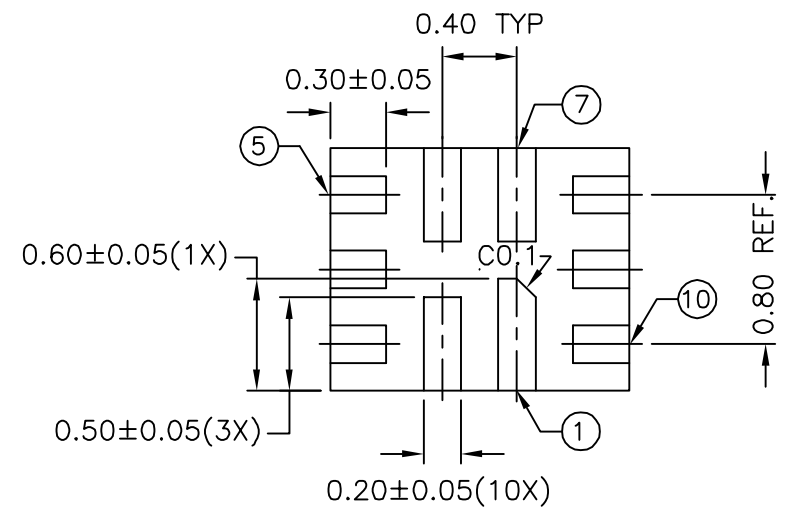
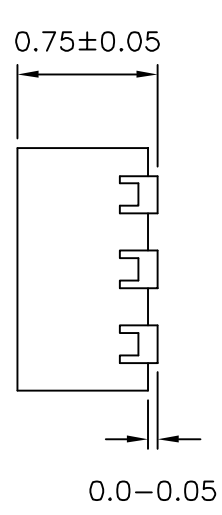
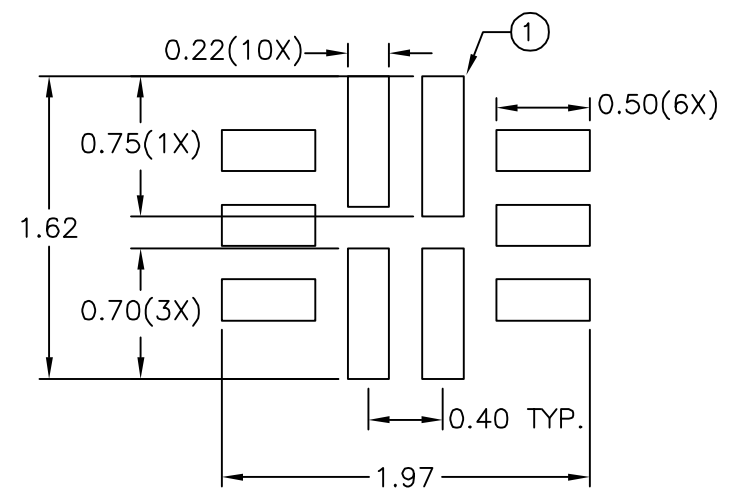
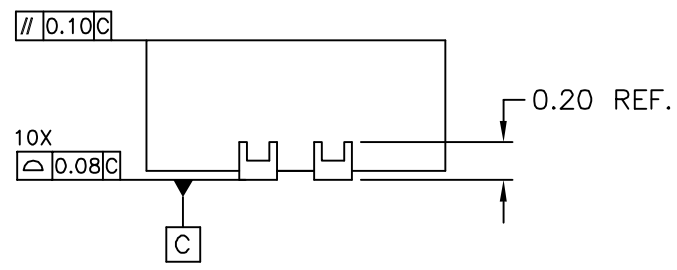


TOP VIEW



BOTTOM VIEW



RECOMMENDED LAND PATTERN (TOP VIEW)

NOTE :

1. ALL DIMENSIONS ARE IN MILLIMETERS.
2. REFER MO-220.
3. RECOMMENDED LAND PATTERN IS FOR REFERENCE ONLY.



DATE: 01/12/09

DESCRIPTION: 10-Contact, Thin Fine Pitch Quad Flat No-Lead (TQFN)

PACKAGE CODE: ZL (ZL10)

DOCUMENT CONTROL #: PD-2052

REVISION: C