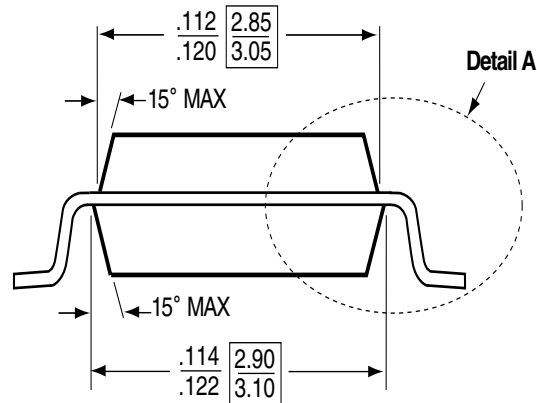
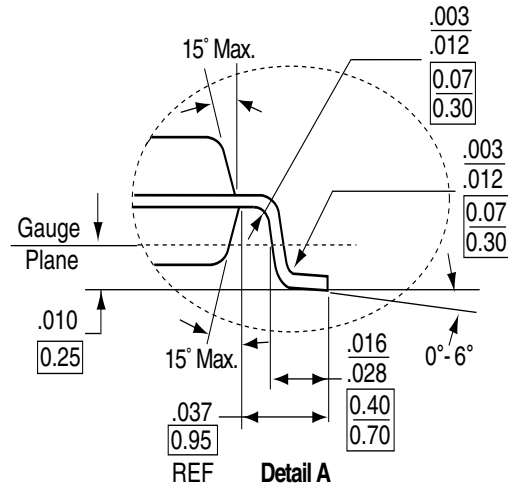
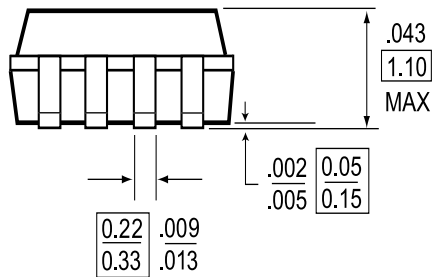
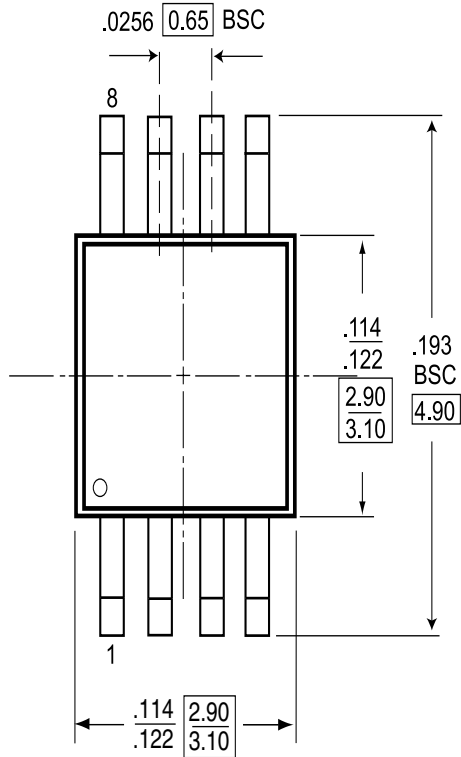


DOCUMENT CONTROL NO.

PD - 1261

REVISION: E

DATE: 03/09/05



X.XX DENOTES DIMENSIONS  
X.XX IN MILLIMETERS

**Notes:**

- 1) Controlling Dimensions in Millimeters
- 2) Ref. JEDEC MO-187E/AA



Pericom Semiconductor Corporation  
3545 N. 1st Street, San Jose, CA 95134  
1-800-435-2335 • www.pericom.com

DESCRIPTION: 8-Pin Mini Small Outline Package, MSOP

PACKAGE CODE: U