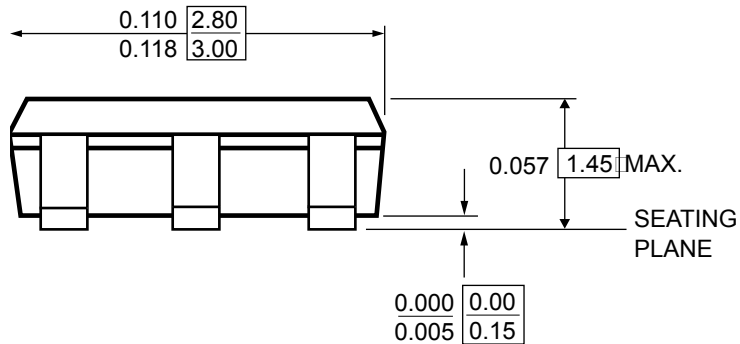
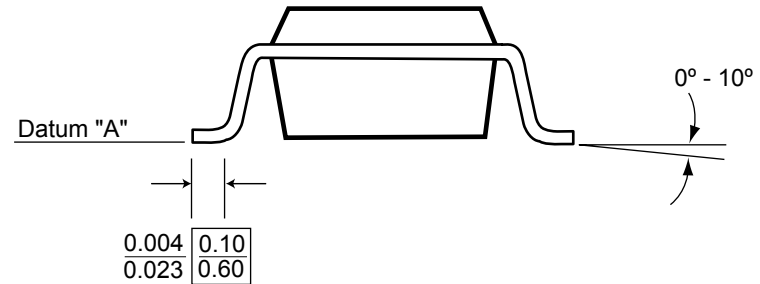
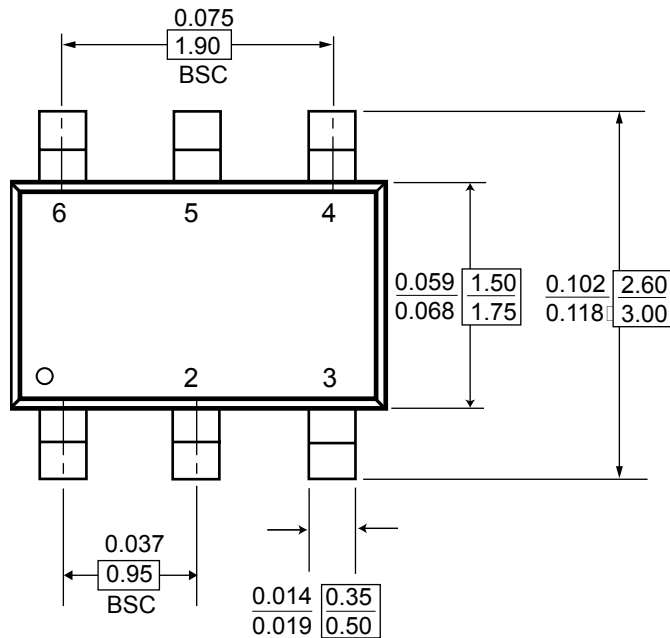


DOCUMENT CONTROL NO.  
PD - 1912

REVISION: C  
DATE: 03/09/05



X.XX DENOTES DIMENSIONS  
X.XX IN MILLIMETERS

**Notes:**

- 1) Controlling dimensions in millimeters
- 2) Ref: EIAJ SC-74A
- 3) Foot length is measured at flat portion of foot, reference to Datum "A"



Pericom Semiconductor Corporation  
3545 N. 1st Street, San Jose, CA 95134  
1-800-435-2335 • www.pericom.com

DESCRIPTION: 6-Pin Small Outline Transistor  
Plastic Package, SOT-23

PACKAGE CODE: T