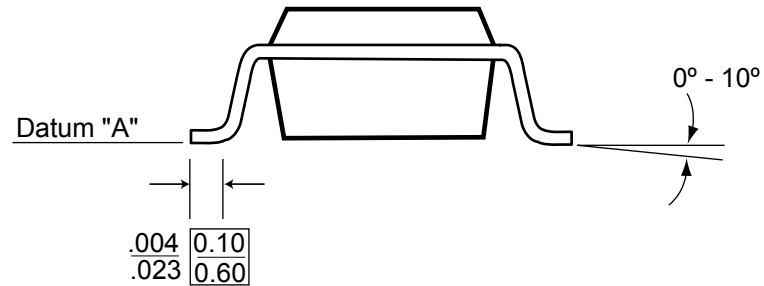
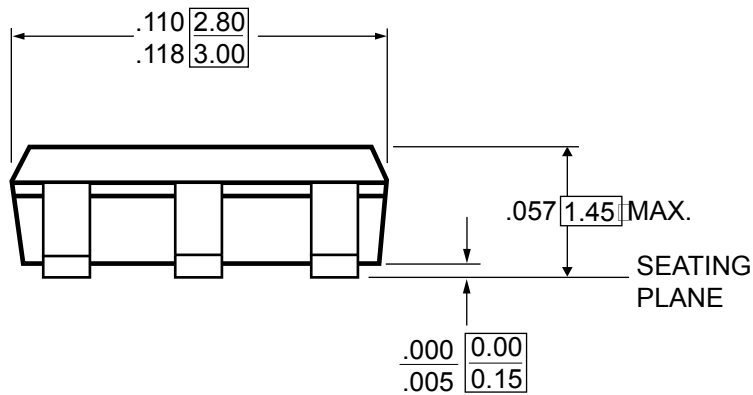
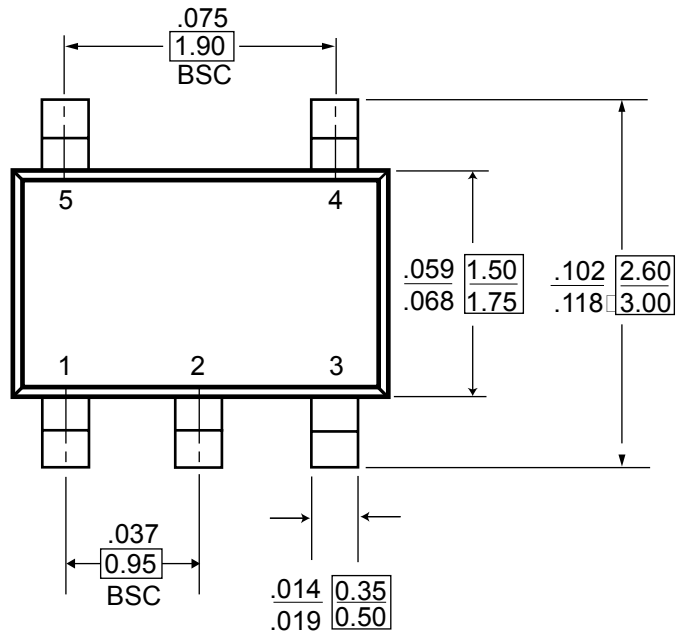


DOCUMENT CONTROL NO.
PD - 1911

REVISION: C
DATE: 03/09/05



X.XX DENOTES DIMENSIONS
IN MILLIMETERS

Notes:

- 1) Controlling dimensions in millimeters
- 2) Ref: EIAJ SC-74A
- 3) Foot length is measured at flat portion of foot, reference to Datum "A"



Pericom Semiconductor Corporation
3545 N. 1st Street, San Jose, CA 95134
1-800-435-2335 • www.pericom.com

DESCRIPTION: 5-Pin Small Outline Transistor
Plastic Package, SOT-23

PACKAGE CODE: T