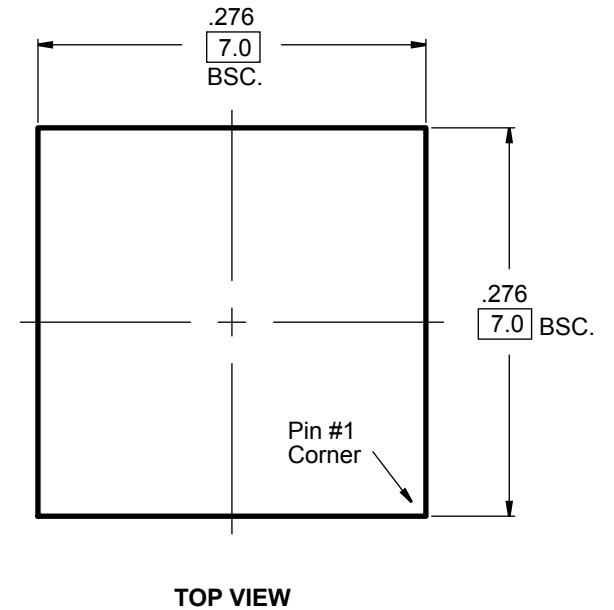
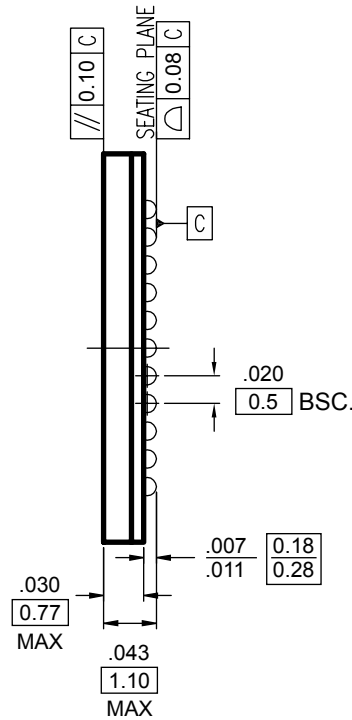
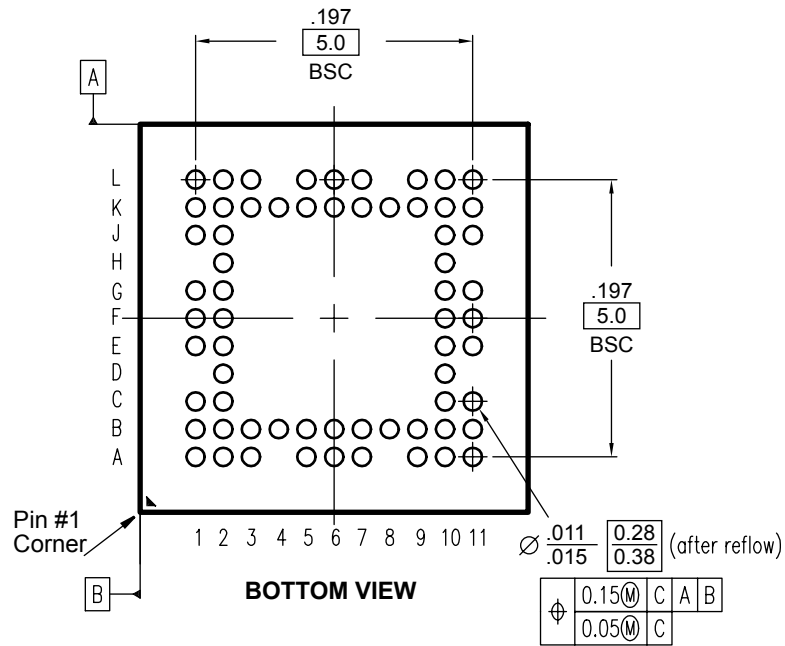


DOCUMENT CONTROL NO.
PD - 2005

REVISION: E
DATE: 03/09/05



XXX Denotes Dimensions
in Millimeters

Notes:

- Controlling dimensions in millimeters
- Ref: JEDEC MO-195C



Pericom Semiconductor Corporation
3545 N. 1st Street, San Jose, CA 95134
1-800-435-2335 • www.pericom.com

DESCRIPTION: 64-Ball, Thin Fine Pitch Ball Grid Array, TFBGA

PACKAGE CODE: NC