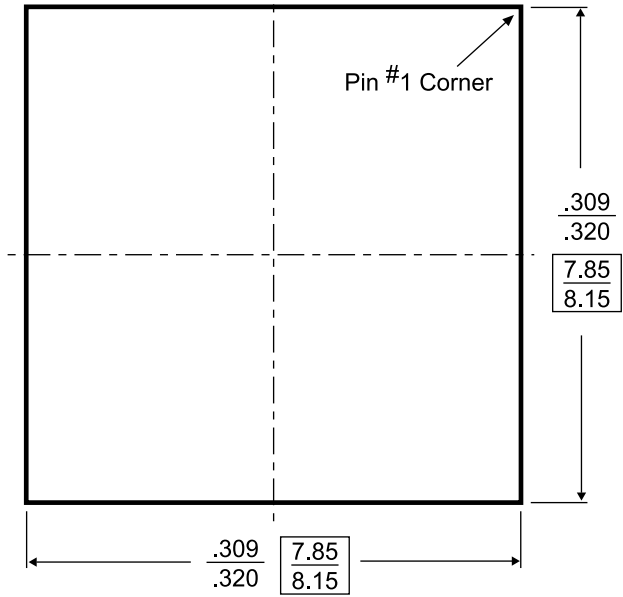
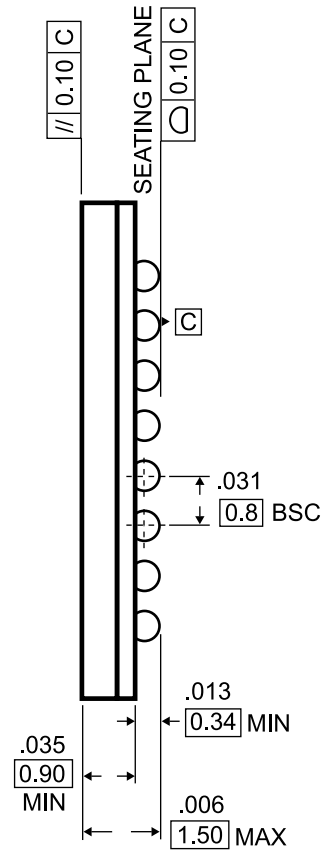
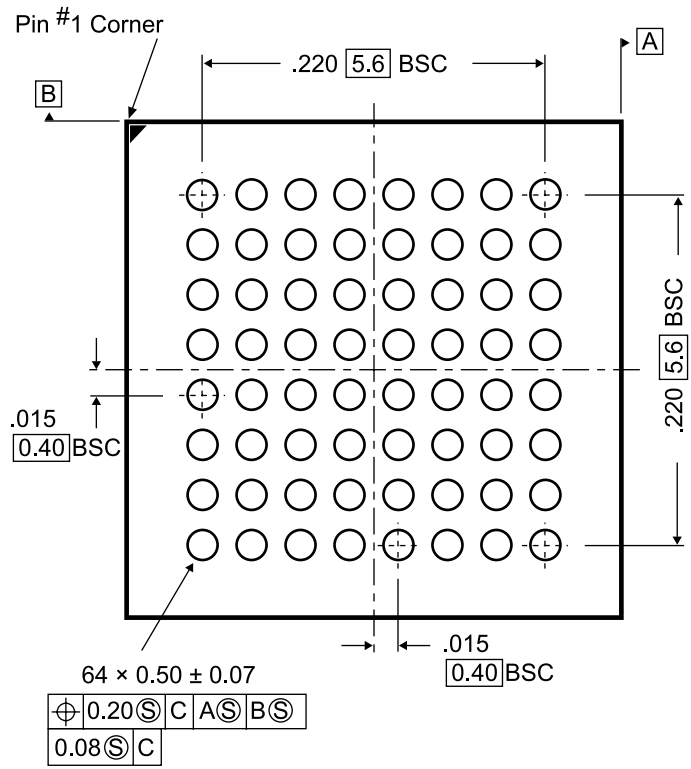


DOCUMENT CONTROL NO.
PD - 2003

REVISION: C
DATE: 03/09/05



[XXX] Denotes Dimensions
[XXX] in Millimeters

- Notes:**
1. Controlling dimensions in millimeters
 2. Ref: JEDEC MO-205F/AA



Pericom Semiconductor Corporation
3545 N. 1st Street, San Jose, CA 95134
1-800-435-2335 • www.pericom.com

DESCRIPTION: 64-Pin Low Profile Fine Pitch Ball Grid Array, LFBGA

PACKAGE CODE: NB