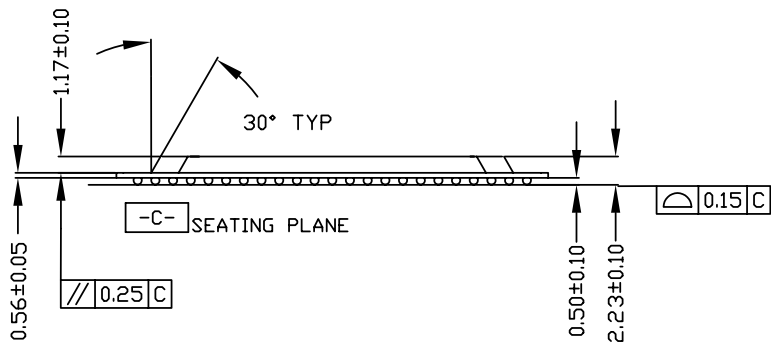
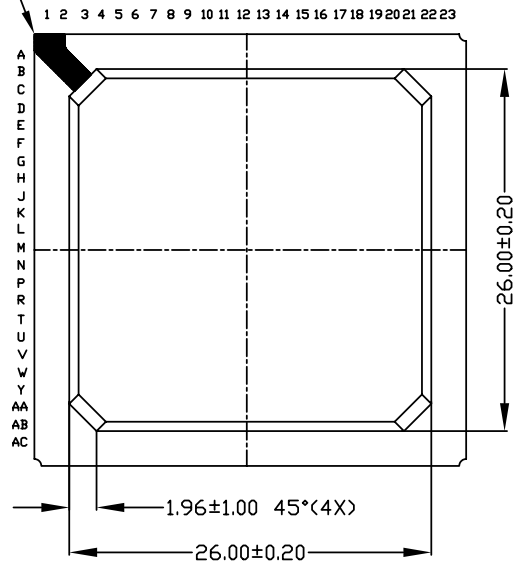
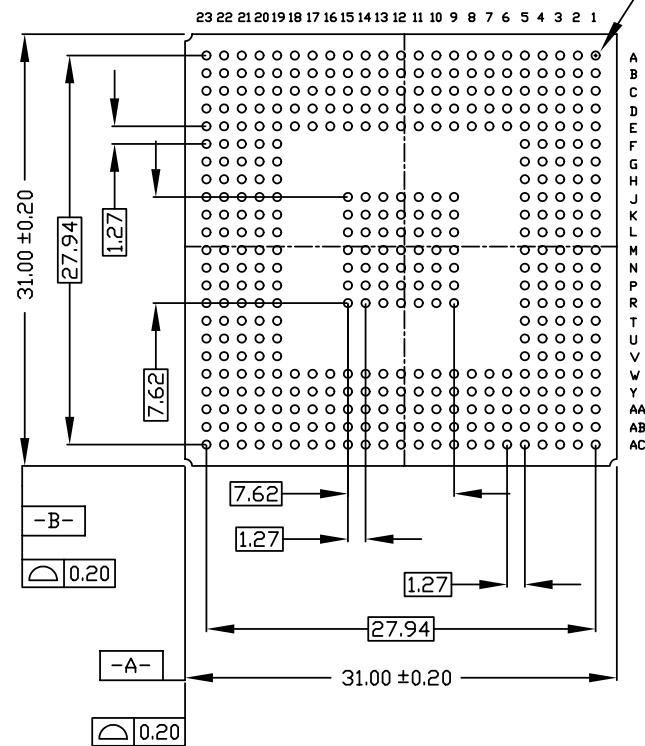


PIN #1 CORNER



⊕	∅0.15	Ⓢ	C
	∅0.30	Ⓢ	C A Ⓢ B Ⓢ

∅0.60±0.15(409X)



DATE: 04/26/06

DESCRIPTION: 409-ball, Plastic Ball Grid Array (PBGA)

PACKAGE CODE: NA409

DOCUMENT CONTROL #: PD-2058

REVISION: -

**Notes:**  
 1) All dimensions are in millimeters, angles in degrees  
 2) Ref JEDEC: MS-034