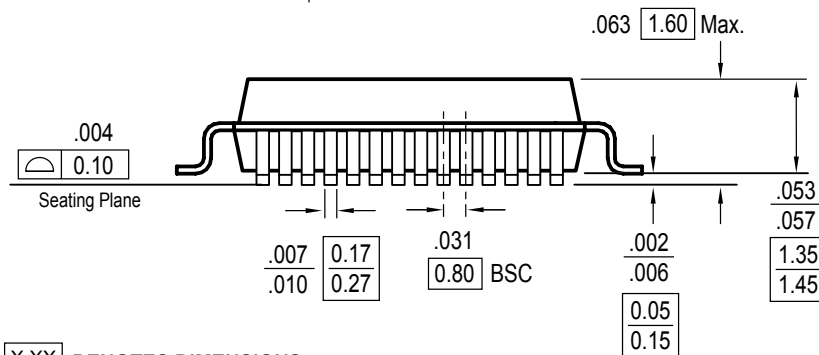
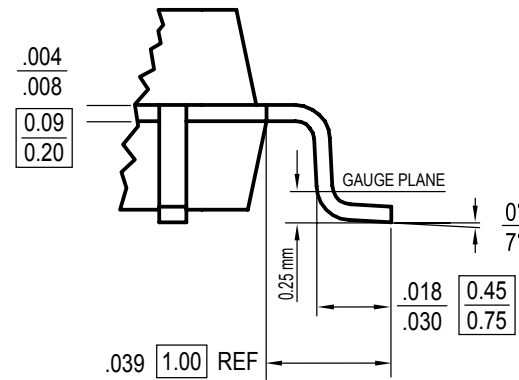
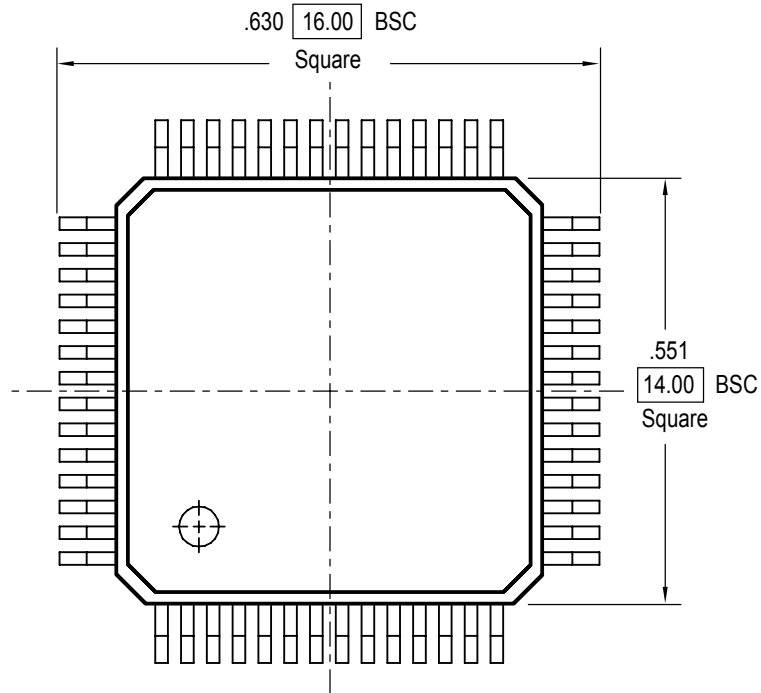


DOCUMENT CONTROL NO.
PD - 1805

REVISION: C
DATE: 03/09/05



[X.XX] DENOTES DIMENSIONS
[X.XX] IN MILLIMETERS

Notes:

1. All dimensions in millimeters
2. Ref.: JEDEC MS-026D/BEB
3. Package Outline Exclusive of Mold Flash and Metal Burr



Pericom Semiconductor Corporation
3545 N. 1st Street, San Jose, CA 95134
1-800-435-2335 • www.pericom.com

DESCRIPTION: 64-Pin, Low Profile Quad Flat Package, LQFP

PACKAGE CODE: FD