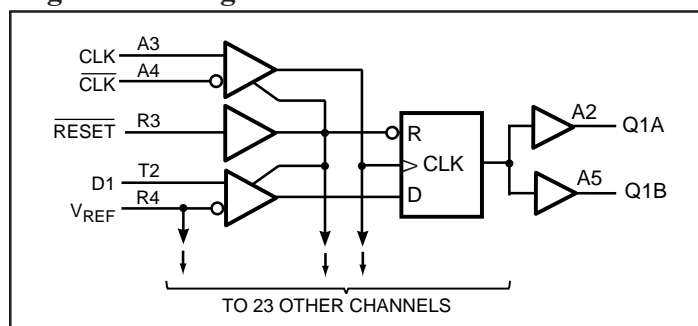


Product Features

- PI74 SSTV32852 is designed for low-voltage operation, $V_{DD} = V_{DDQ} = 2.3V$ to $2.7V$
- Supports SSTL_2 Class II specifications on outputs
- All Inputs are SSTL_2 Compatible, except \overline{RESET} which is LVCMOS.
- Designed for DDR Memory
- Packaging (Pb-free available):
114-Ball LFBGA

Logic Block Diagram

Product Pin Description

Pin Name	Description
\overline{RESET}	Reset (Active Low) LVCMOS
CLK	Clock Input, Positive Differential Input
\overline{CLK}	Clock Input, Negative Differential Input
D	Data Input
Q	Data Output
GND	Ground
V_{DD}	Core Supply Voltage, 2.5V Nominal
V_{DDQ}	Output Supply Voltage, 2.5V Nominal
V_{REF}	Input Reference Voltage, 1.25V Nominal

Truth Table⁽¹⁾

Inputs			Outputs	
\overline{RESET}	CLK	\overline{CLK}	D	Q
L	X or Floating	X or Floating	X or Floating	L
H	↑	↓	H	H
H	↑	↓	L	L
H	L or H	L or H	X	$Q_0^{(2)}$

Notes:

1. H = High Signal Level; L = Low Signal Level; ↑ = Transition LOW-to-HIGH; ↓ = Transition HIGH-to-LOW
X = Irrelevant or floating
2. Output level before the indicated steady state input conditions were established.

Product Description

Pericom Semiconductor's PI74SSTV32852 logic circuit is produced using the Company's advanced 0.35 micron CMOS technology, achieving industry leading speed.

All inputs are compatible with the JEDEC standard for SSTL_2, except the LVCMOS reset (\overline{RESET}) input. All outputs are SSTL_2, Class II compatible.

The device operates from a differential clock (CK and \overline{CK}). Data registered at the crossing of CK going HIGH, and \overline{CK} going LOW.

The PI74SSTV32852 supports low-power standby operation. When \overline{RESET} is LOW, the differential input receivers are disabled, and undriven (floating) data, clock and reference voltage (V_{REF}) inputs are allowed. In addition, when \overline{RESET} is LOW, all registers are reset, and all outputs are forced LOW. The LVCMOS \overline{RESET} input must always be held at a valid logic HIGH or LOW level.

To ensure defined outputs from the register before a stable clock has been supplied, \overline{RESET} must be held in the LOW state during power up.

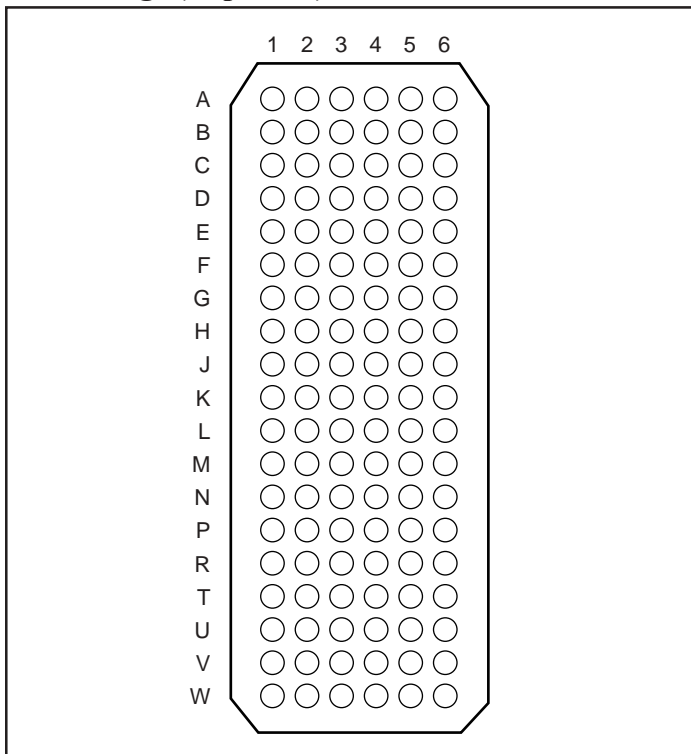
In the DDR DIMM application, \overline{RESET} is specified to be completely asynchronous with respect to CK and \overline{CK} . Therefore, no timing relationship can be guaranteed between the two. When entering \overline{RESET} , the register will be cleared and the outputs will be driven LOW quickly, relative to the time to disable the differential input receivers, thus ensuring no glitches on the output. However, when coming out of \overline{RESET} , the register will become active quickly, relative to the time to enable the differential input receivers. When the data inputs are LOW, and the clock is stable, during the time from the LOW-to-HIGH transition of \overline{RESET} until the input receivers are fully enabled, the design must ensure that the outputs will remain LOW.

Pericom's PI74SSTV32852 is characterized for operation from 0° to $70^{\circ}C$.

Product Pin Configuration

	1	2	3	4	5	6
A	Q2A	Q1A	CLK	CLK	Q1B	Q2B
B	Q3A	V _{DDQ}	GND	GND	V _{DDQ}	Q3B
C	Q5A	Q4A	V _{DDQ}	V _{DDQ}	Q4B	Q5B
D	Q7A	Q6A	GND	GND	Q6B	Q7B
E	Q8A	GND	V _{DDQ}	V _{DDQ}	GND	Q8B
F	Q10A	Q9A	V _{DDQ}	V _{DDQ}	Q9B	Q10B
G	Q12A	Q11A	GND	GND	Q11B	Q12B
H	Q13A	V _{CC}	V _{DDQ}	V _{DDQ}	V _{CC}	Q13B
J	Q14A	Q15A	GND	GND	Q15B	Q14B
K	Q17A	Q16A	V _{DDQ}	V _{DDQ}	Q16B	Q17B
L	Q18A	Q19A	GND	GND	Q19B	Q18B
M	Q20A	V _{DDQ}	GND	GND	V _{DDQ}	Q20B
N	Q22A	Q21A	V _{DDQ}	V _{DDQ}	Q21B	Q22B
P	Q23A	V _{DDQ}	GND	GND	V _{DDQ}	Q23B
R	Q24A	V _{CC}	$\overline{\text{RESET}}$	V _{REF}	V _{CC}	Q24B
T	D2	D1	D6	D18	D13	D14
U	D4	D3	D10	D22	D15	D16
V	D5	D7	D11	D23	D19	D17
W	D8	D9	D12	D24	D21	D20

NB Package (Top View)



Maximum Ratings (Above which the useful life may be impaired. For user guidelines, not tested.)

Item	Symbol/Conditions	Ratings	Units
Storage temperature	T_{stg}	-65 to 150	°C
Supply voltage	V_{DD} or V_{DDQ}	-0.5 to 3.6	V
Input voltage ^(1,2)	V_I	-0.5 to $V_{DD} + 0.5$	
Output voltage ^(1,2)	V_O	-0.5 to $V_{DDQ} + 0.5$	
Input clamp current	$I_{IK}, V_I < 0$ or $V_I > V_{DD}$	-50	mA
Output clamp current	$I_{OK}, V_O < 0$ or $V_O > V_{DDQ}$	±50	
Continuous output current	$I_O, V_O = 0$ to V_{DDQ}	±50	
V_{DD}, V_{DDQ} or GND current/pin	I_{DD}, I_{DDQ} or I_{GND}	±100	
Package Thermal Impedance ⁽³⁾	θ_{JA}	36	°C/W

Note:

Stresses greater than those listed under MAXIMUM RATINGS may cause permanent damage to the device. This is a stress rating only and functional operation of the device at these or any other conditions above those indicated in the operational sections of this specification is not implied. Exposure to absolute maximum rating conditions for extended periods may affect reliability.

1. The input and output negative voltage ratings may be excluded if the input and output clamp ratings are observed.
2. This value is limited to 3.6V Maximum.
3. The package thermal impedance is calculated in accordance with JESD 51-7.

Recommended Operating Conditions⁽⁴⁾

Parameters	Description	Min.	Nom.	Max.	Units
V_{DD}	Supply Voltage	2.3	2.5	2.7	V
V_{DDQ}	I/O Supply Voltage	2.3	2.5	2.7	
V_{REF}	Reference Voltage $V_{REF} = 0.5X V_{DDQ}$	1.15	1.25	1.35	
V_{TT}	Termination Voltage	$V_{REF} - 0.04$	V_{REF}	$V_{REF} + 0.04$	
V_I	Input Voltage	0		V_{DD}	
V_{IH}	AC High -Level Input Voltage	$V_{REF} + 310mV$			
V_{IL}	AC Low -Level Input Voltage			$V_{REF} - 310mV$	
V_{IH}	DC High -Level Input Voltage	$V_{REF} + 150mV$			
V_{IL}	DC Low -Level Input Voltage			$V_{REF} - 150mV$	
V_{IH}	High -Level Input Voltage	1.7			
V_{IL}	Low -Level Input Voltage			0.7	
V_{ICR}	Common-mode input range	0.97		1.53	
V_{ID}	Differential Input Voltage	360			
I_{OH}	High-Level Output Current			-20	mA
I_{OL}	Low-Level Output Current			20	
T_A	Operating Free-Air Temperature	0		70	°C

Note:

4. The \overline{RESET} input of the device must be held at V_{DD} or GND to ensure proper device operation. The differential inputs must not be floating, unless \overline{RESET} is LOW.

DC Electrical Characteristics

(Over the Operating Range, $T_A = 0^\circ\text{C}$ to $+70^\circ\text{C}$, $V_{DD} = 2.5\text{V} \pm 200\text{mV}$, $V_{DDQ} = 2.5\text{V} \pm 200\text{mV}$)

Parameters		Test Conditions	V_{DD}	Min.	Typ. ⁽¹⁾	Max.	Units			
V_{IK}		$I_I = -18\text{mA}$	2.3V			-1.2	V			
V_{OH}		$I_{OH} = -100\mu\text{A}$	2.3V-2.7V	$V_{DD} - 0.2$						
		$I_{OH} = -16\text{mA}$	2.3V	1.95						
V_{OL}		$I_{OL} = 100\mu\text{A}$	2.3V-2.7V			0.2				
		$I_{OH} = 16\text{mA}$	2.3V			0.35				
I_I	All Inputs	$V_I = V_{DD}$ or GND	2.7V			± 5	μA			
I_{DD}	Standby (Static)	$\overline{\text{RESET}} = \text{GND}$	2.7V			10	μA			
	Operating (Static)	$\overline{\text{RESET}} = V_{DD}$, $V_I = V_{IH(AC)}$ or $V_{IL(AC)}$				35	mA			
I_{DDD}	Dynamic operating - clock only	$\overline{\text{RESET}} = V_{DD}$, $V_I = V_{IH(AC)}$ or $V_{IL(AC)}$, CK and $\overline{\text{CK}}$ switching 50% duty cycle.				$I_O = 0$			46	$\mu\text{A}/\text{MHz}$
	Dynamic Operating - per each data input	$\overline{\text{RESET}} = V_{DD}$, $V_I = V_{IH(AC)}$ or $V_{IL(AC)}$, CK and $\overline{\text{CK}}$ switching 50% duty cycle. One data input switching at half clock frequency, 50% duty cycle.							12	$\mu\text{A}/\text{clock MHz}/\text{data input}$
R_{OH}	Output High	$I_O = -20\text{mA}$	2.3V to 2.7V	7.0		20	Ohm			
R_{OL}	Output Low	$I_O = 20\text{mA}$		7.0		20				
C_i	Data Inputs	$V_I = V_{REF} \pm 350\text{mV}$	2.5	3.0	4.0	5.5	pF			
	CK and $\overline{\text{CK}}$	$V_{ICR} = 1.25\text{V}$, $V_{I(PP)} = 360\text{mV}$		6.5	8.0	9.5				
	$\overline{\text{RESET}}$	$V_I = V_{DD}$ or GND		3.5	4.35	5.0				

Note:

1. All typical values are at $V_{DD} = 2.5\text{V}$, $T_A = 25^\circ\text{C}$.

Timing Requirements (over recommended operating free-air temperature range, unless otherwise noted)

		V _{DD} = 2.5V ±0.2V		Units
		Min.	Max.	
f _{clock}	Clock frequency		200	MHz
t _w	Pulse Duration, CK, $\overline{\text{CK}}$ high or low	2.5		ns
t _{act} [†]	Differential Inputs active time, data inputs must be low after $\overline{\text{RESET}}$ high.	22		
t _{inact} [†]	Differential Inputs inactive time, data and clock inputs must be held at valid levels (not floating) after $\overline{\text{RESET}}$ Low.			
t _{su}	Setup time, fast slew rate ^(5,7)	Data before CK \uparrow , $\overline{\text{CK}}\downarrow$	0.75	
	Setup time, slow slew rate ^(6,7)		0.9	
t _h	Hold time, fast slew rate ^(5,7)	Data after CK \uparrow , $\overline{\text{CK}}\downarrow$	0.75	
	Hold time, slow slew rate ^(6,7)		0.9	

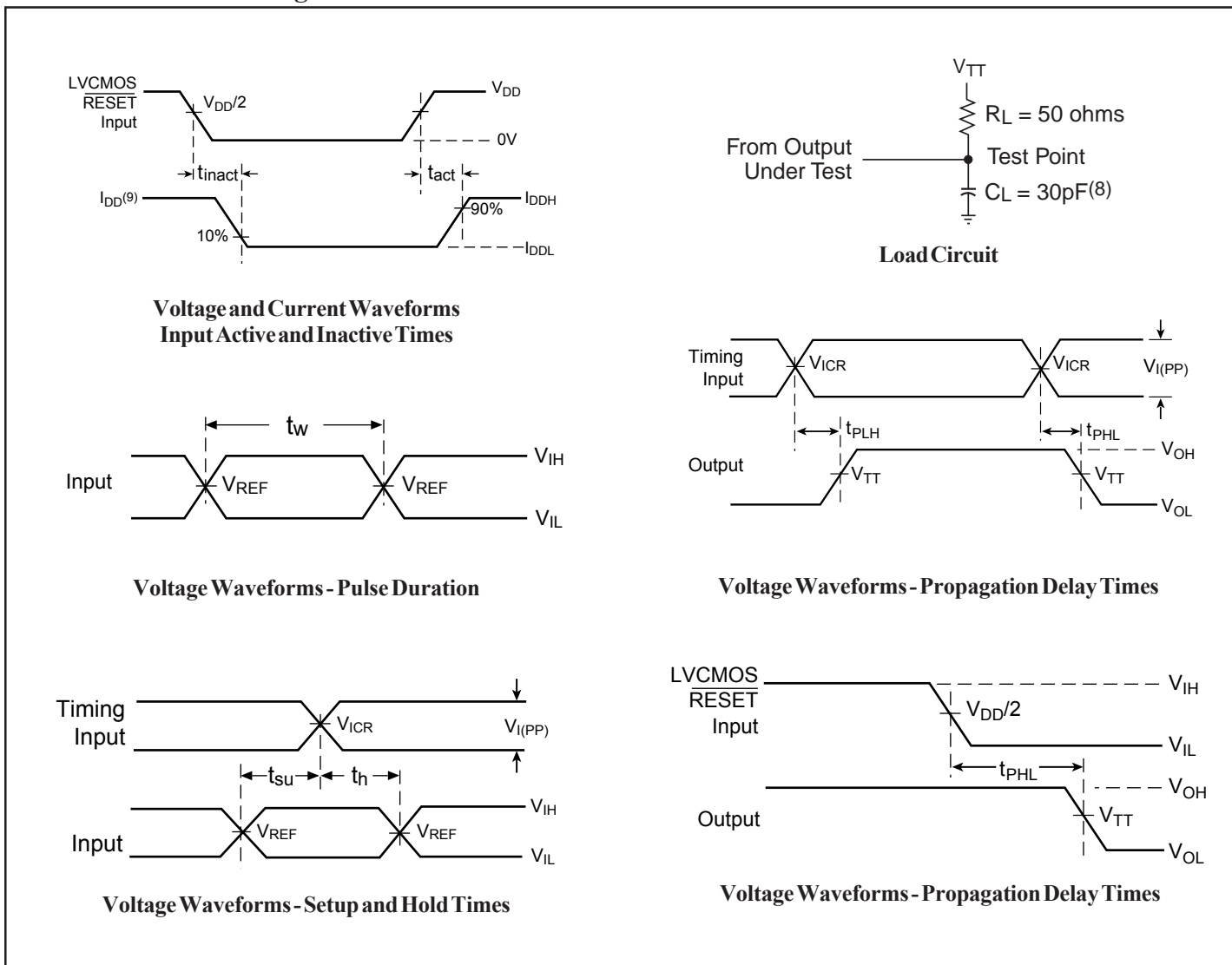
- Notes:**
- 5. For data signal input slew rate $\geq 1\text{V/ns}$.
 - 6. For data signal input slew rate $\geq 0.5\text{V/ns}$ and $< 1\text{V/ns}$.
 - 7. CLK, $\overline{\text{CLK}}$ signals input slew rates are $\geq 1\text{V/ns}$.
 - [†] This parameter is not necessarily production tested.

Switching Characteristics

(Over recommended operating free-air temperature range, unless otherwise noted.)
(See test circuits and switching waveforms).

Parameter	From (Input)	To (Output)	V _{DD} = 2.5V ±0.2V			Units
			Min.	Typ.	Max.	
f _{max}			200			MHz
t _{pd}	CLK, $\overline{\text{CLK}}$	Q	1.1		3.3	ns
t _{phl}	$\overline{\text{RESET}}$	Q			5.0	

Test Circuit and Switching Waveforms

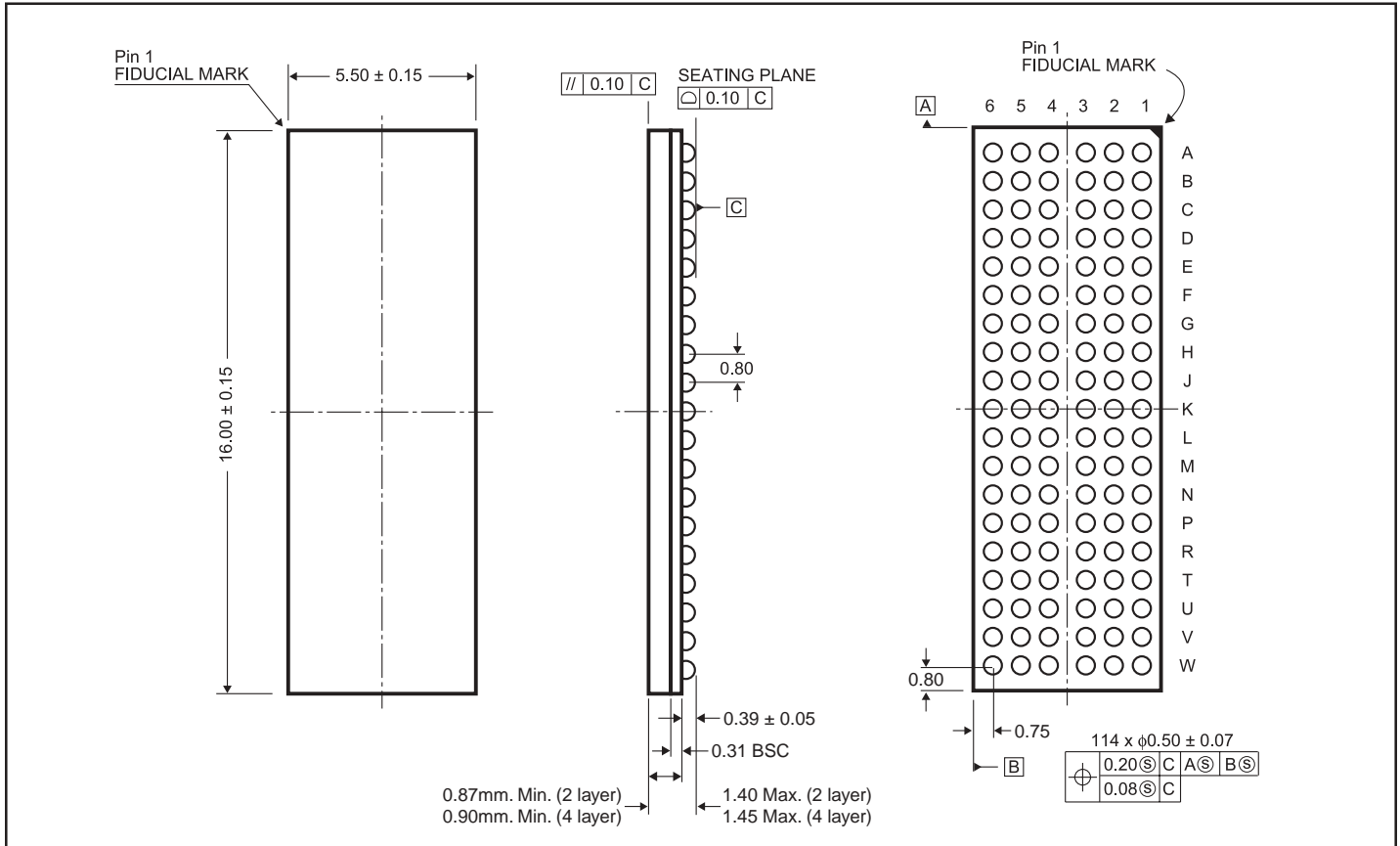


Parameter Measurement Information ($V_{DD} = 2.5V \pm 0.2V$)

Notes:

8. C_L includes probe and jig capacitance.
9. I_{DD} tested with clock and data inputs held at V_{DD} or GND, and $I_O = 0mA$.
10. All input pulses are supplied by generators having the following characteristics: PRR ≤ 10 MHz, $Z_O = 50$ ohms. Input slew rate = $1V/ns \pm 20\%$ (unless otherwise specified).
11. The outputs are measured one at a time with one transition per measurement.
12. $V_{TT} = V_{REF} = V_{DDQ}/2$
13. $V_{IH} = V_{REF} + 310mV$ (ac voltage levels) for SSTL inputs. $V_{IH} = V_{DD}$ for LVC MOS input.
14. $V_{IL} = V_{REF} - 310mV$ (ac voltage levels) for SSTL inputs. $V_{IL} = GND$ for LVC MOS input.
15. t_{PLH} and t_{PHL} are the same as t_{pd} .

114-Ball LFBGA (NB) Package



Ordering Information

Ordering Code	Package Code	Package Type
PI74SSTV32852NB	NB	114-Ball LFBGA
PI74SSTV32852NBE	NB	Pb-free, 114-Ball LFBGA

Notes:

1. Thermal characteristics can be found on the company web site at <http://www.pericom.com/packaging/mechanicals.php>