

PAGE	2	About Pericom
	3	Applications

13 Products - Signal Integrity

14	PCI Express ReDriver
17	SAS/SATA/XAUI ReDriver
18	Digital Video Signal Integrity (DisplayPort, HDMI, DVI)
19	USB3 ReDriver

21 Products - Connectivity

23	Bridge
25	Packet Switch
27	Application Specific Signal Switch
33	Analog Signal Switch
35	Digital Bus Switch
45	Logic Interface
49	LVDS
52	Memory Modules
53	Translators

57 Products - Timing

58	Clock ICs
65	SaRonix-eCera Frequency Control

73 Package & Ordering Information

74	Packaging
88	Ordering Information
95	Contact Sales

Important Notice: The products and services of Pericom Semiconductor and its subsidiaries described herein are sold subject to Pericom's standard terms and conditions of sale. Customers are advised to obtain the most current and complete information about Pericom products and services before placing orders. Pericom assumes no liability for applications assistance, customer's applications or product designs, software performance, or infringement of patents. The publication of information regarding any other company's products or services does not constitute Pericom's approval, warranty or endorsement thereof.

About Pericom

Connectivity, Timing & Signal Integrity

Pericom is dedicated to providing solutions that enable better, faster and more reliable connectivity. This focus produces a portfolio of silicon-based ICs and SaRonix-eCera quartz crystals and crystal oscillators, fully integrated and compatible, for maximizing the potential of high-speed signals. Pericom offers elegant one-chip solutions and unique signal integrity products that replace expensive multiple-chip designs, eliminate expensive cable and allow for extended flexibility – and this in turn results in increased system reliability, shortened development time and reduced development costs for the end application or platform.

Why Choose Pericom?

- Broad portfolio of vertically integrated connectivity, signal integrity and timing solutions
- Products provide standards compliance, increased system reliability, and lowered system costs
- Unique signal conditioning solutions enable the full potential of the latest high-speed serial protocols

Products

Pericom's high-speed timing, connectivity and signal integrity ICs, crystals and crystal oscillators are available in a variety of Pb-free and Green packages, including many ultra-small space-saving and low-power options. Product families include signal switches, packet switches, bridges, ReDriver™ signal conditioners, LVDS, level-shifters, clock generator/buffer families, and SaRonix-eCera™ frequency control crystals and crystal oscillators.

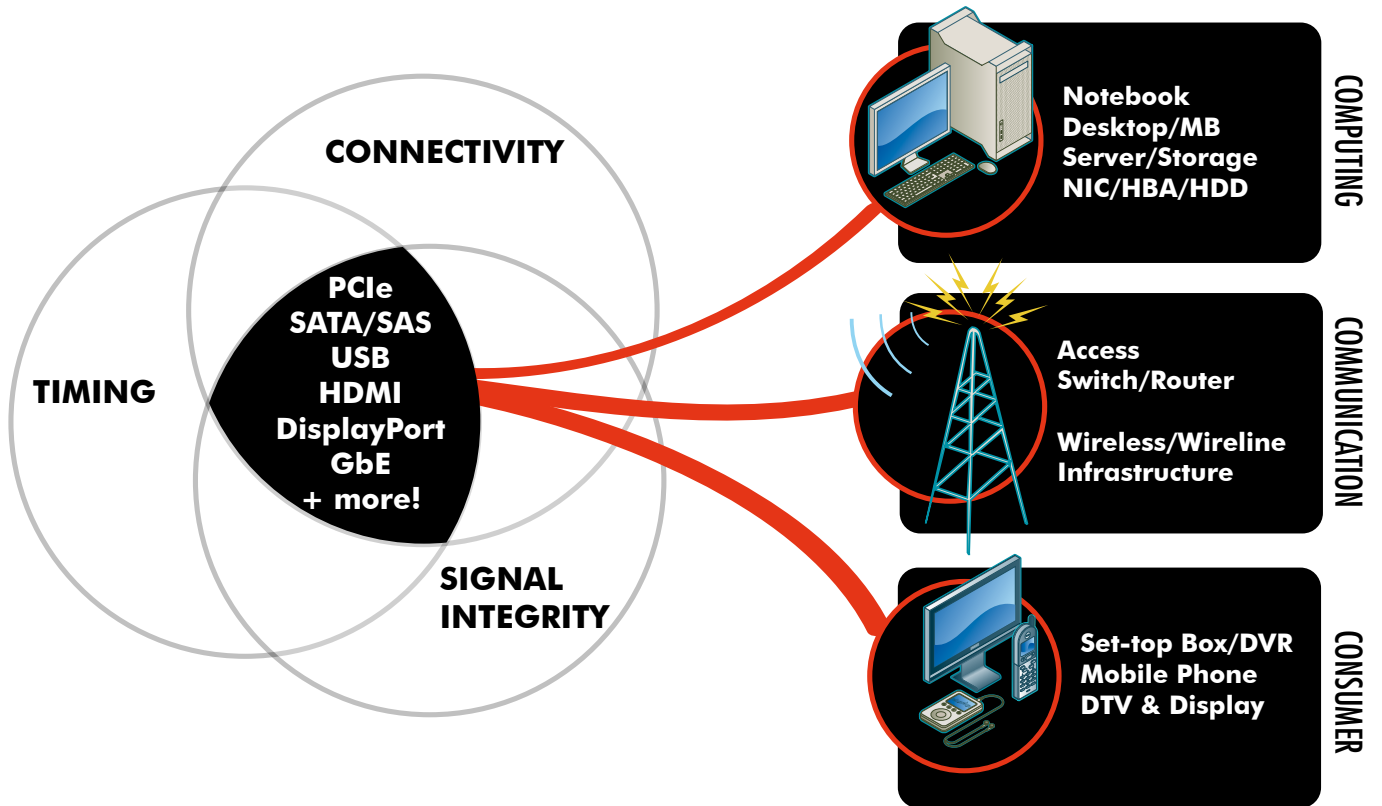
Applications & Market Segments

Pericom's solutions enable serial connectivity in virtually any market, including, but not limited to:

- Notebook/PC
- Digital video, LCD, TV
- Ultra mobility, cell phone/smart phone, PDA
- Enterprise networks, cloud computing
- Servers and storage

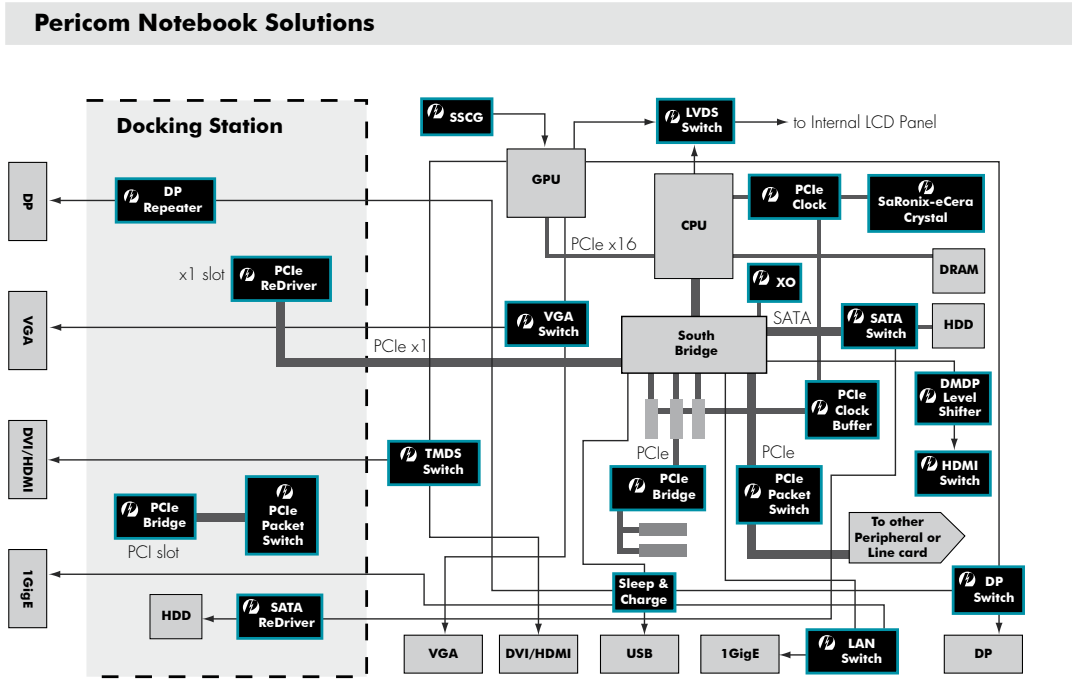
Applications Overview

High-speed serial solutions for consumer, computer and communication applications



Pericom is committed to providing innovative product solutions to meet your application needs. We deliver the expertise vital to today's designs for major markets such as consumer, communications, computing, core storage, connectivity and display technologies. The following pages contain examples of how Pericom's technology enables connectivity, timing and signal conditioning in today's prevalent market applications.

PC - Notebook + Desktop



Pericom products are found in nearly every notebook in the world. Our broad selections of high-speed next-generation devices are excellent match for this continually growing market. These solutions are essential in managing signal integrity, timing, and routing within the desktop PC, notebook PC, docking station, and various other peripherals.

Timing & Frequency Control

- Crystals, Oscillators, Clock Generators & Buffers

Signal Routing Control

- Application Specific Switches
 - + LAN, USB 2.0 + SuperSpeed 3.0, Video, Audio, PCIe Signal Switch, SATA 3Gbps, SAS
- Bus Switches and Analog Switches
- Function Expansion & Signal Integrity
- PCI Bridges, PCIe-PCI Bridges, PCIe Packet Switch
- Signal Conditioning for PCI Express, SATA 3Gbps, SAS, and DVI/HDMI

Docking Station Switches

- LAN, USB 2.0 + SuperSpeed 3.0, Video (VGA, DVI, HDMI, Display Port), Audio, PCIe Switching

Multimedia

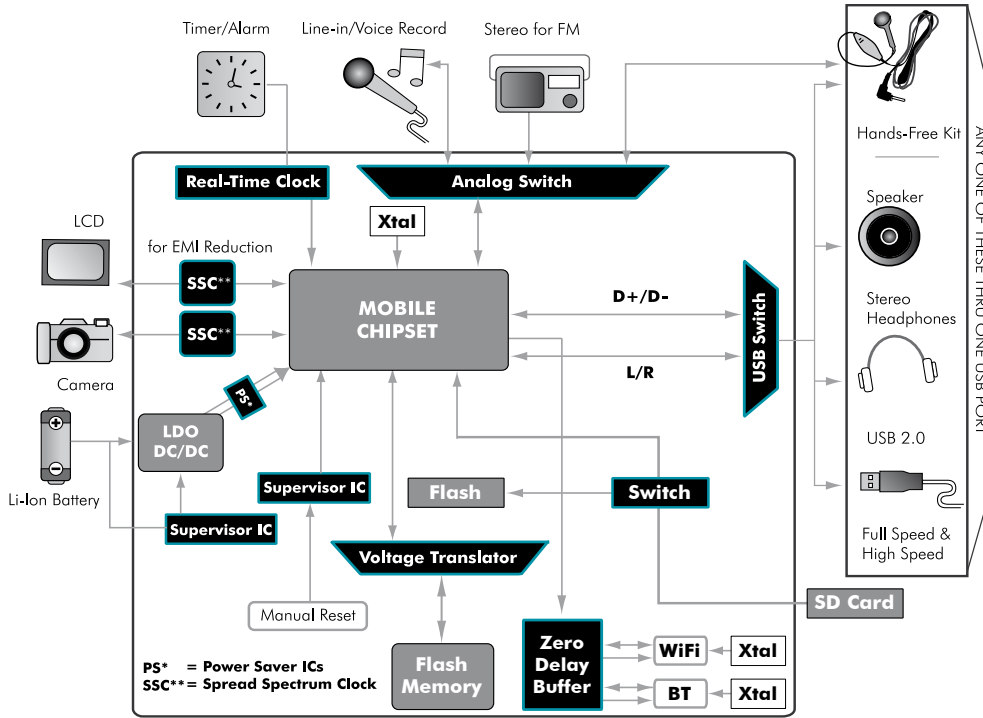
- Extended Memory: DRAM, External Drives
- PCI Application: PCI Express® Signal Switches, Packet Switches and ReDrivers
- Voltage & Signal Translation/Level Translators

USB Charging

- Triple the speed of phone charging
- Charge phones when notebook is in sleep mode or even while off!

Ultra Mobility

Pericom Ultra Mobility Application Solutions



In the ultra mobility market, smart cell phones, PDA's, and portable media players require video, flash memory products, and hard disk utilities like MP3. Pericom has the right signal switches, supervisor circuits, level shifters, and real-time clock products for these powerful and portable applications.

High-Fidelity Audio Switching/External Headset

- Switches between internal and external speakers, while eliminating noise.
 - + Dual SPDT Analog Switches, and Dual SPDT with Shunt Analog Switches
 - + Dual SPDT Mux/DeMux Switches and Dual SP3T Analog Switches

Power Saver Switches Conserve Battery Life

- Low-voltage, single-supply SPST switches

Multi-processor Interconnects

- With high-speed, automatic voltage translation. Interface Logic Transceivers & Voltage Translators are available.

Enhanced Mini USB (all-in-one) Support

- For switch between audio, battery charging, and data transfer from one USB port.
- Wide bandwidth USB 2.0 + SuperSpeed 3.0 & Dual SPDT analog switches.

USB Voltage Protection

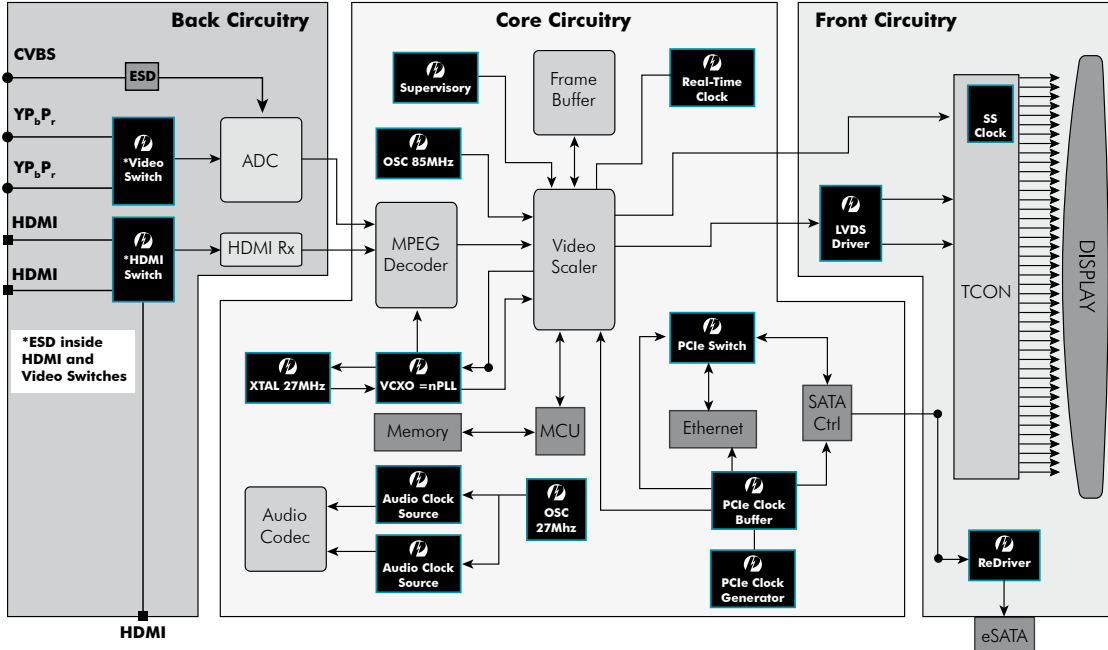
- 3.3V, High-bandwidth, 2-Bit, bus switch with individual low enables

System Timing and Power Management

- Real-Time Clocks & Spread-Spectrum Clocks; LDOs, Supervisory and more.

Digital Video

Digital TV and Display Application Solutions



To meet the demand of the fast-growing market of television and its related products, Pericom offers complete interface and timing solutions: video switch, analog switch, USB switch, bus switch, universal voltage translators, frequency control, supervisory, real-time clocks, and media clocks.

Generic Architecture

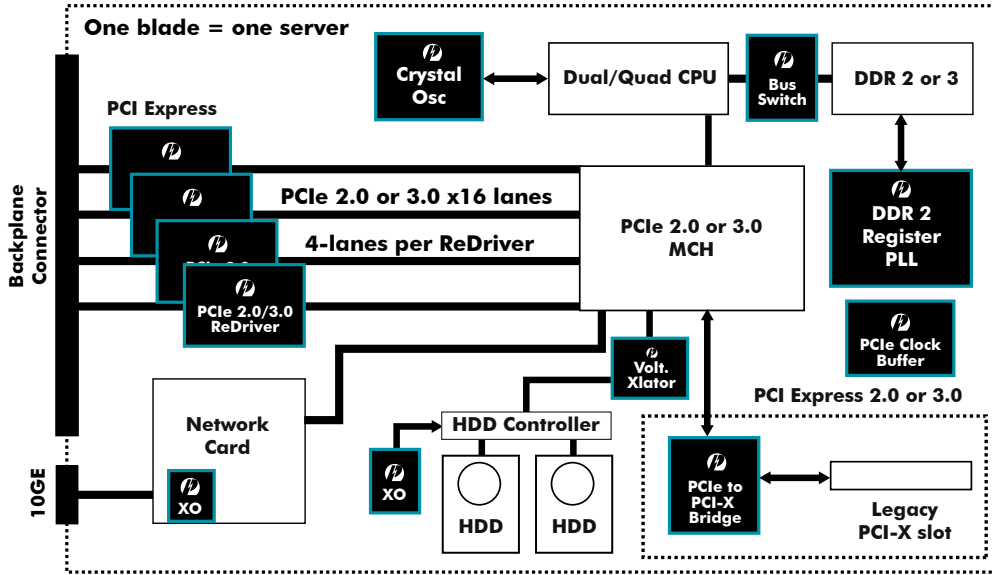
- Video Switch
- Crystals
- Multimedia Clock

Product Offering:

- Video Switch
- Analog Switch
- USB Switch
- Bus Switch
- Voltage Translators/ Level Shifters
- Frequency Control Products
- Supervisory Circuits
- Real Time Clock
- Media Clock

Server

Pericom Server & Storage Solutions



Pericom devices fill the roles of interface and expansion within server systems. From consumer-focused boxes to high-end multi-processors, Pericom provides solutions addressing the interface issues faced by system designers today such as jitter, signal integrity, and connectivity for a system stability.

Timing

- Crystals & Oscillators
- Clock Generators & Buffers

Switch

- LAN, USB
- SATA2, SAS, XAUI
- PCI Express
- DVI
- Hot-plug switches

Bridge Solutions

- PCI Express® to PCI Reversible Bridge
- PCI Express® to PCI-X Bridge
- PCI-X to PCI-X Bridge

Signal Interfaces

- Auto sensing/programmable voltage conversion
- Signal Conditioning
- PCI Express® 1.0, 2.0 & 3.0 ReDrivers
- SATA 3Gbps/SAS ReDrivers
- XAUI ReDrivers

Extended Memory

- DRAM
- External Drives

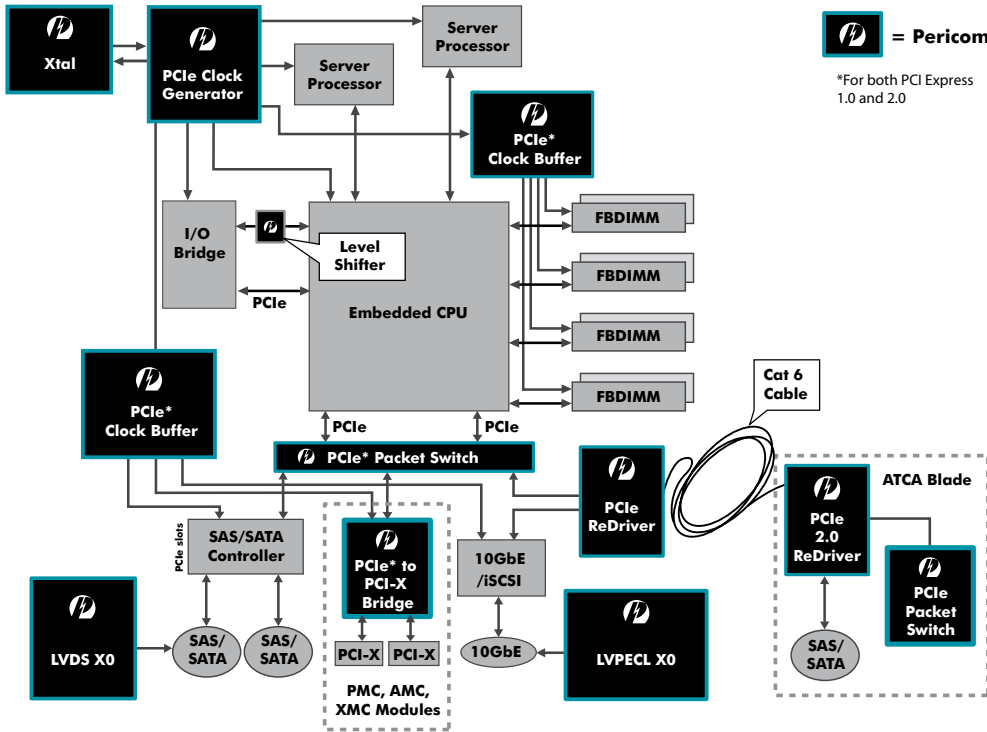
PCI-X Add-in Cards

- PCI-X Bridge for multiple PCI-X devices
- PCI to PCI-X bridge for legacy devices (RS-232)

We offer full customer channel model simulation capability to quickly find the optimum solution for high speed serial channels at both 5Gb/s and 8Gb/s speeds.

Embedded

Pericom PCI Express® Embedded System Solutions



Pericom delivers an array of interface and expansion solutions targeting Embedded systems. From consumer-focused blades to high-end multi-processors, Pericom provides solutions for a variety of interface issues faced by embedded system designers.

Bridge Switch Solutions

- PCI Express 2.0 to PCI-X Bridge
- PCI Express to PCI Reversible Bridge
- PCI Express to PCI-X Bridge
- PCI-X to PCI-X Bridge

Timing

- Crystals & Oscillators
- Clock Generators & Buffers

Switch

- LAN
- PCI Express
- DVI
- Hot-plug switches

Signal Interfaces

- Auto Sensing/Programmable Voltage conversion

Signal Conditioning

- PCI Express® ReDrivers
- SATA/SAS/XAUI ReDrivers

Extended Memory

- DRAM
- External Drives

PCI-X Add-in Cards

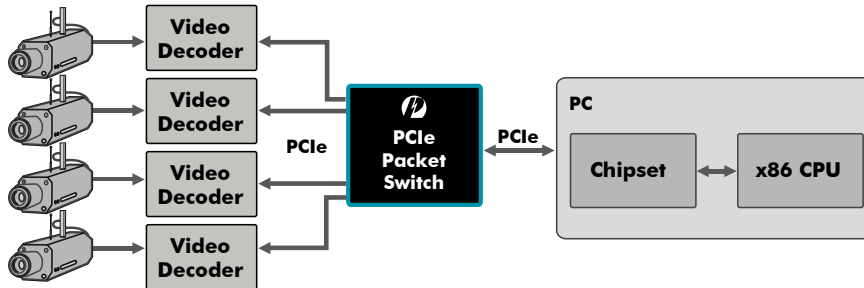
- PCI-X Bridge for multiple PCI-X devices
- PCI to PCI-X bridge for legacy devices (RS-232)

Note: For PCIe 2.0 PCIe Bridge, please contact marketing for further information.

Video Surveillance

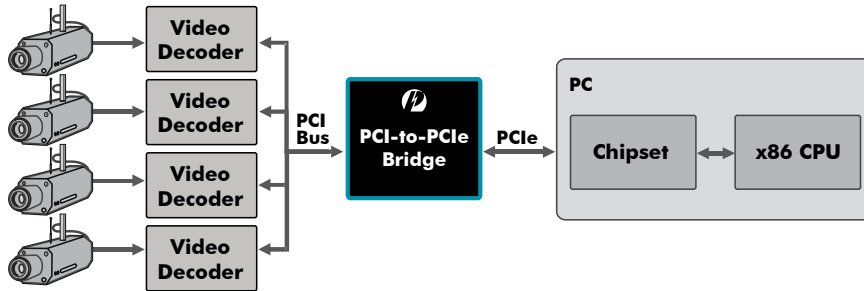
PC Based Applications

PCIe Video Decoder



..... Either option shown (PCIe or PCI) can be used for hardware or software-based compression.

PCI Video Decoder



Pericom continually expands its broad array of PCI bridge, PCIe bridges, PCIe packet switches, Video Switches, clock IC's, and frequency control solutions for emerging surveillance applications.

Timing & Frequency Control

- Crystals and Oscillators
- Clock Generators
- Clock Buffers

Switching

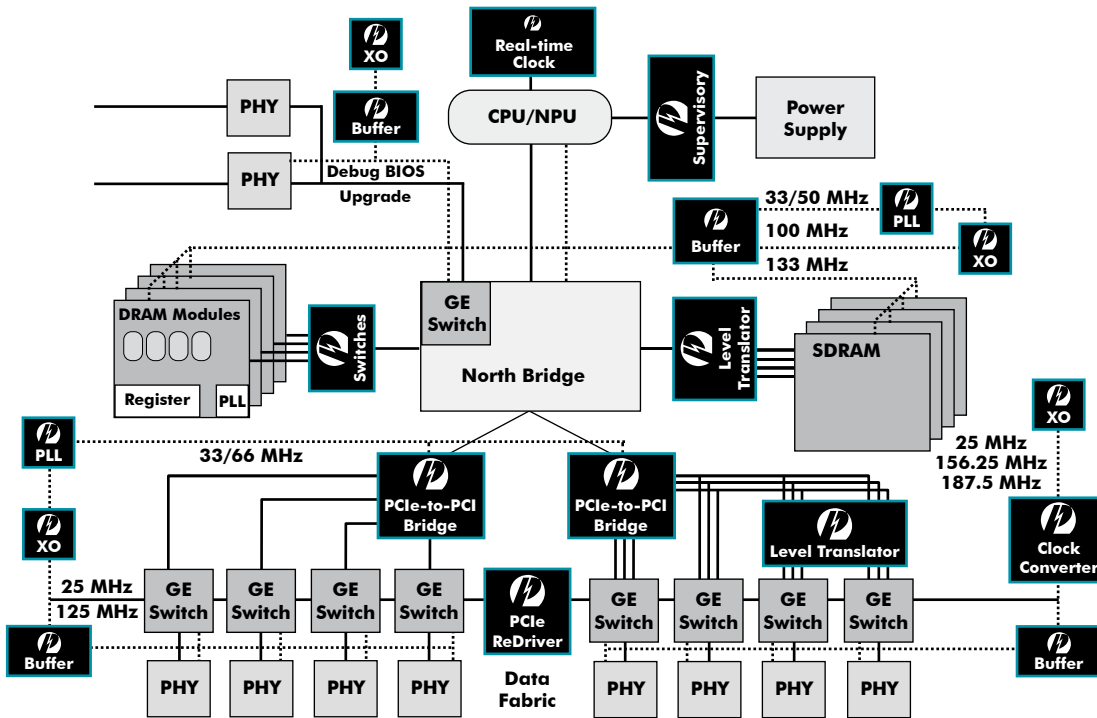
- Video source to video decoders
- RGB, S-Video, or composite video signals
- Single-ended 3V or 5V devices

Bridge and Packet Switch Solutions

- PCIe to PCI Reversible Bridge
- PCI-X to PCI-X Bridges
- PCI to PCI Bridges
- PCIe Packet Switches

Router/Switch

Pericom Solutions for Clock & Timing Planes in Gigabit Ethernet Switch



The high-speed networking market continues to grow as ever increasing numbers of users and high-bandwidth applications require infrastructure upgrades. Pericom offers an expanding array of interface and timing solutions for networking applications.

Quartz-based Clock Products

- SaRonix-eCera Crystals
- SaRonix-eCera Crystal Oscillators

Silicon-based Pericom Products

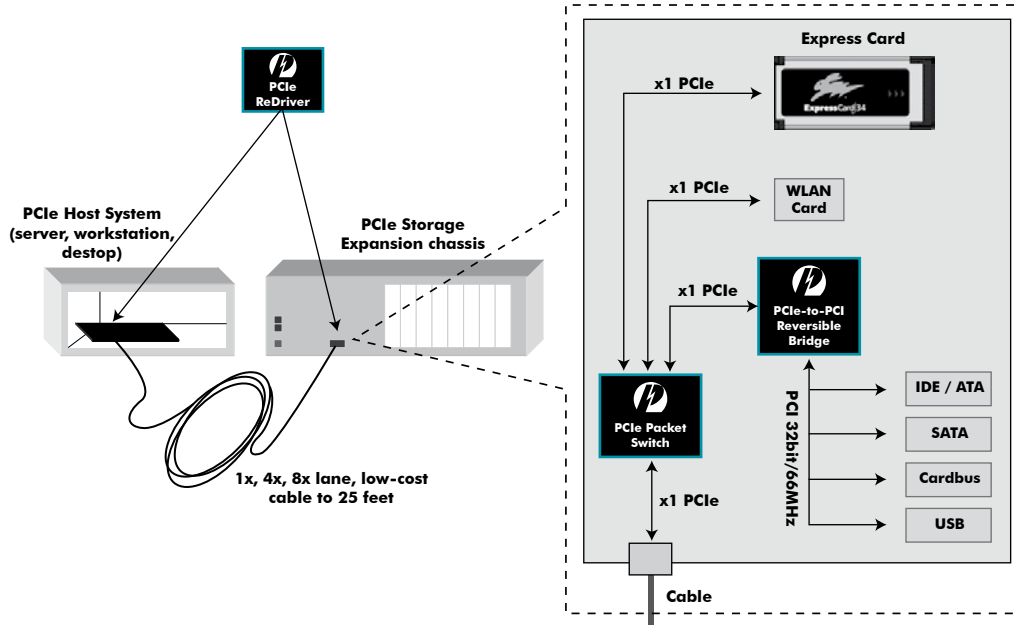
- Bridges
- Registers
- Switches
- PLL Clock Generator
- Supervisory
- Level Shifters
- Clock Buffers
- Clock Converters (Differential)

GB Ethernet Solutions

- Pericom has solutions for this level of timing needs (see block diagram above).

Storage

Pericom Solutions for High-end Storage Array



The storage market includes a wide range of applications and product segments, from enterprise storage servers, through network and disk drive interfaces, to consumer storage products. Pericom sells a wide range of products to multiple storage market segments. Products include those which are specific to an application like Fibre channel, SATA clocks and ReDrivers, and more general purpose devices like packet and signal switches.

Products Available for Storage Applications

- Clock and Timing Solutions -Quartz & IC
- PCI and PCI Express Bridges
- PCI Express Packet Switches
- SATA 3Gbps, SAS, PCIe and USB Signal Switches
- PCI Express, SAS and SATA 3Gbps ReDriver and Signal Conditioners

Application Segments

- HDD & ODD
- HBA – FC
- Storage Server
- RAID Array
- Consumer & Peripherals