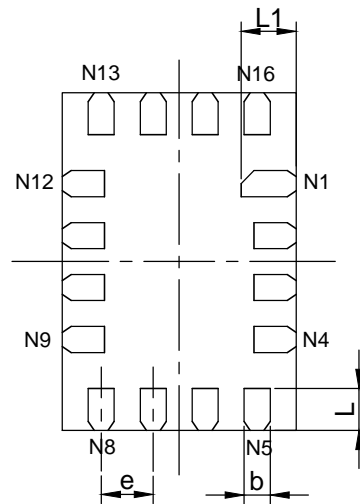
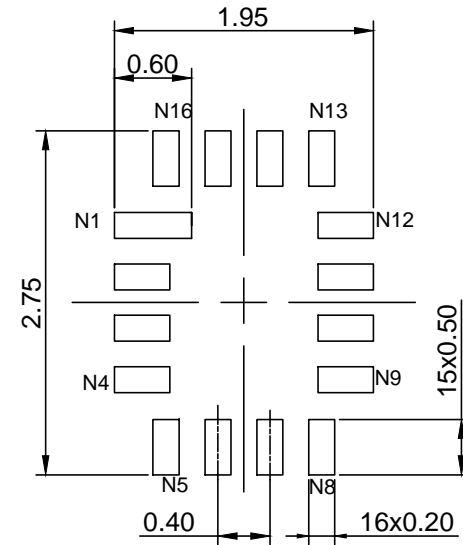


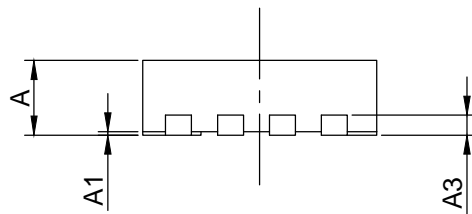
TOP VIEW



BOTTOM VIEW



RECOMMENDED LAND PATTERN(unit:mm)



SIDE VIEW

| PKG. DIMENSIONS(MM) | | | |
|---------------------|----------|------|------|
| SYMBOL | Min | NOM | Max |
| A | 0.45 | 0.50 | 0.55 |
| A1 | 0.00 | 0.02 | 0.05 |
| A3 | 0.15 REF | | |
| D | 1.75 | 1.80 | 1.85 |
| E | 2.55 | 2.60 | 2.65 |
| b | 0.15 | 0.20 | 0.25 |
| L | 0.35 | 0.40 | 0.45 |
| L1 | 0.45 | 0.50 | 0.55 |
| e | 0.40 BSC | | |

Note:

1. Comply with JEDEC MO-288B, except 'A' MIN, 'A' MAX and 'A3'



DATE: 08/22/16

DESCRIPTION: 16-Pin, UQFN, 1.8x2.6

PACKAGE CODE: ZTA (ZTA16)

DOCUMENT CONTROL #: PD-2212

REVISION: --