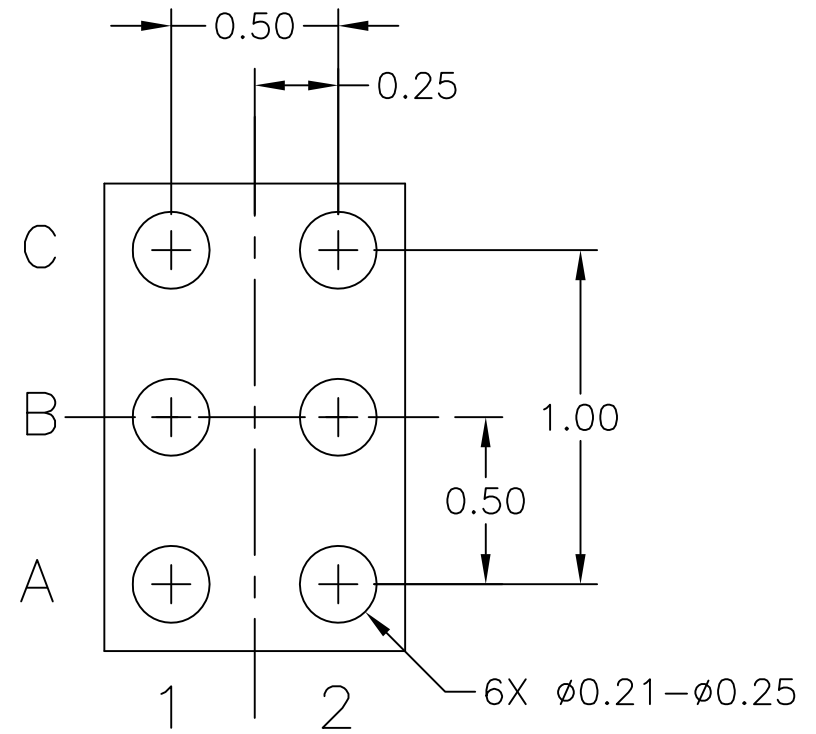
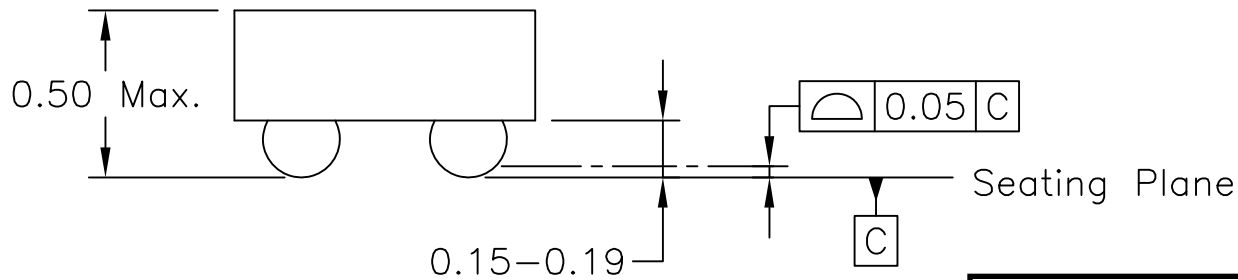


TOP View



Bottom View



Seating Plane



DATE: 06/23/13

DESCRIPTION: 6-contact CSP (Chip Scale Package)

PACKAGE CODE: GA (GA6)

DOCUMENT CONTROL#: PD-2111

REVISION: --

Notes:

1) All dimensions are in millimeters