

### 250mA High PSRR Low Noise LDO with Enable

The AP7353 is a low dropout regulator with high output voltage accuracy; this includes a voltage reference, error amplifier, current limit circuit and an enable input to turn it on and off. With the integrated resistor network, fixed output voltage versions can be delivered.

With its high PSRR, good line regulation and fast load transient response, the AP7353 is well-suited for battery-operated devices such as handheld/wearable communication equipment which require stable voltage sources.

The AP7353 is packaged in X1-WLB0707-4 (Type A1) and X2-DFN1010-4 (Type B) which allows for smallest footprint and dense PCB layout.



#### The Diodes Advantage

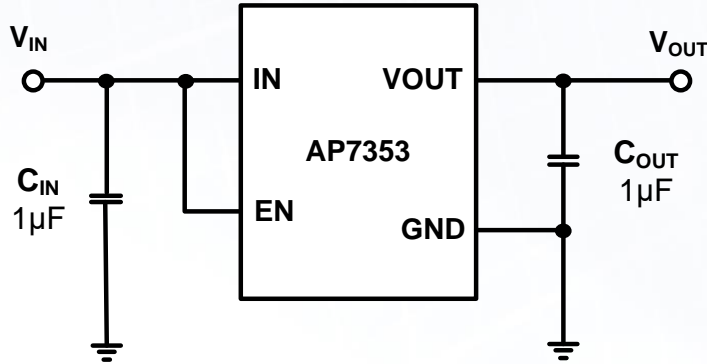
**The AP7353 offers high PSRR 90dB for noise-sensitive applications to reduce influence from input voltage variation.**

- **High PSRR (90dB @ 1kHz) and Low Noise (10 $\mu$ Vrms @ 10Hz - 100kHz)**  
Suitable for noise-sensitive applications such as audio, video and RF subsystems which needs power saving in low-power and battery-operated products
- **1.0% Output Accuracy at Room Temperature, 2% over -40 to +125°C**  
Maintains accuracy under all conditions
- **Active Output Discharge with Wide Variety of Output Voltages**  
Provides 250mA for I/O and numerous core voltages with output discharge to ensure systems start-up in known state
- **Low Quiescent Current at 18 $\mu$ A with Enable Pin**  
Offers power saving in low-power and battery-operated products Enable pin with and without auto-discharge provides further battery savings
- **Miniaturized Package, X1-WLB0707-4 (0.67mmx0.67mmx0.4mm)**  
Provides small footprint and low-profile requirements of the latest portable equipment

#### Applications

- Portable Instrumentation
- Wearable Electronics
- Smart Phone/PAD
- Internet-of-Things (IoT)
- Image Sensor

### Typical Application Circuit



### Product Portfolio

Part Number	V <sub>IN</sub> (V)	V <sub>OUT</sub> (V)	I <sub>OUT</sub> (mA)	V <sub>DROP</sub> @ Full Load (mV)	I <sub>Q</sub> (µA)	Output Accuracy (%)	Enable	Package
AP7353-XXXCV4-7	2.0 to 5.5	1.8 to 4.5	250	55mV@V <sub>OUT</sub> = 4.5V	18	1	Yes	X1-WLB0707-4 (Type A1)
AP7353-XXXFS4-7	2.0 to 5.5	1.8 to 4.5	250	74mV@V <sub>OUT</sub> = 4.5V	18	1	Yes	X2-DFN1010-4 (Type B)
AP7353D-XXXCV4-7	2.0 to 5.5	1.8 to 4.5	250	55mV@V <sub>OUT</sub> = 4.5V	18	1	Yes	X1-WLB0707-4 (Type A1)
AP7353D-XXXFS4-7	2.0 to 5.5	1.8 to 4.5	250	74mV@V <sub>OUT</sub> = 4.5V	18	1	Yes	X2-DFN1010-4 (Type B)

To find out more information:

<https://www.diodes.com/part/AP7353>

### Ordering Information

