

ZXCT1008EV1 USER GUIDE

DESCRIPTION

The ZXCT1008EV1 is a current monitor evaluation board which measures 0.5A, 2.0A or a 2.5A load current. This current is then translated to a proportional output current which is scaled by an external resistor to give a 2.5V full scale output voltage.

protection from 110V transients and includes an additional current limiting resistor.

The board also incorporates additional solder pads for a user defined sense resistor to cater for additional load currents which may require measuring.

The board has also been designed to incorporate

FEATURES

- Supply Range 8 to 20V
- Selectable current measurement range
- 2.5V Output Voltage
- Transient Protected
- 3 Pin SOT23 package

APPLICATIONS

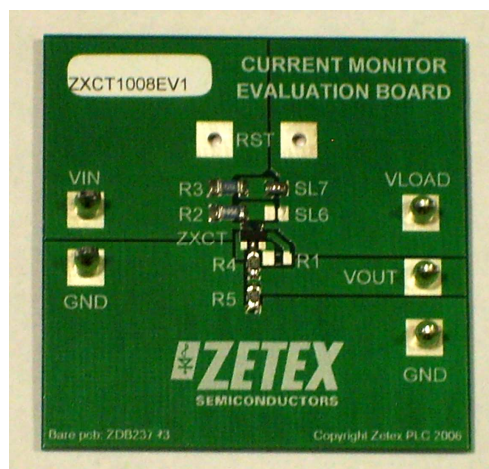
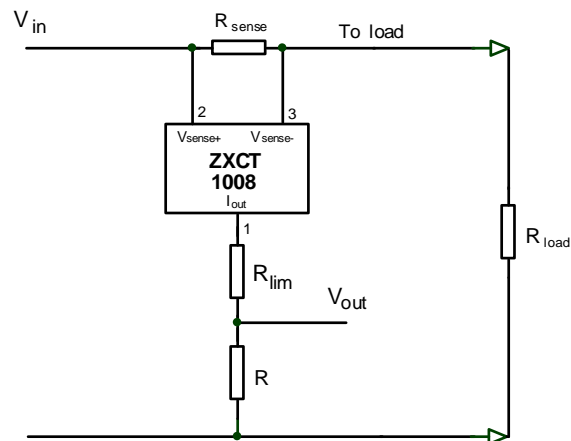
- Battery Charging
- Power Supplies
- DC motor and solenoid control

ORDERING INFORMATION

ORDER NUMBER
ZXCT1008EV1

Please note evaluation boards are subject to availability and qualified leads.

TYPICAL APPLICATION CIRCUIT



ZXCT1008EV1

ISSUE 3 – April 2007

REFERENCE DESIGN

ZXCT1008EV1 is configured to the reference design below. The target applications are battery chargers, power supply units and automotive current monitoring.

The input voltage is typically between 14 to 16V for the ZXCT1008EV1 with a minimum of 8V. This board takes into account 110V voltage transients which may be present. See scaling for transient protection below for further information.

R_{sense}

The board has been designed with three set selectable values of R_{sense}, to measure either a 0.5A, 2.0A or 2.5A range. The value of sense resistor can be chosen by using the solder links SL6 and SL7.

To measure a 0.5A load current, the 200mΩ resistor (R3) should be selected by shorting SL7. To measure a 2.0A current, the 50mΩ resistor (R2) should be selected by shorting SL6. To measure a 2.5A current, short both SL6 and SL7. The 50mΩ in parallel with the 200mΩ will give a 40mΩ resistance. RST is also available if a user defined current load level is required to be measured. This allows the user to scale in a more appropriate value of sense resistor. If the value of sense resistor is changed, the maximum power dissipation of the resistor must be appropriate to the load current level.

NB The board is set by default to measure 0.5A i.e. SL7 is shorted, utilizing the 200mΩ resistor.

For further information on choosing a value of sense resistor please refer to the ZXCT1008 datasheet or Applications note 39.

V_{OUT}

If the preset selectable values of sense resistor are chosen, the device will output 2.5V at both the 0.5A and 2.0A current levels. The board has been designed for each of the sense resistors to develop 100mV across them at the three levels of current.

If a RST is used at a different current level, the value of V_{out} will change.

Configuration table for ZXCT1008EV1

LOAD CURRENT (A)	R _{sense} (mΩ)	V _{OUT} (V)	SOLDERLINK CONFIGURATION
0.5	200	2.5	Short SL7
2.0	50	2.5	Short SL6
2.5	40	2.5	Short SL7 and SL6

Scaling for Transient Protection

The ZXCT1008EV1 has a current limiting resistor R4 which will limit the current from I_{out}. This is of particular use where high voltage transients maybe present.

Assuming the worst case condition of V_{out} = 0V, the minimum value of R_{lim} is given by :

$$R_{lim} (\text{min}) = \frac{V_{pk} - V_{max}}{I_{pk}}$$

Assuming 110V transients present;

$$= \frac{110 - 20}{40 \times 10^{-3}} = 2.25k\Omega$$

V_{pk} = Peak transient voltage to be withstood (V)

V_{max} = Maximum Working Volage = 20V

I_{pk} = Peak Output Current = 40mA

The maximum value of R_{lim} is set by $V_{in(min)}$, $V_{out(max)}$ and the dropout voltage.

$$R_{lim(max)} = \frac{R_{out} [V_{in(min)} - (V_{dp} + V_{out(max)})]}{V_{out(max)}}$$

$$= \frac{2.5 \times 10^3 [8 - (1.5 + 2.5)]}{2.5} = 4k\Omega$$

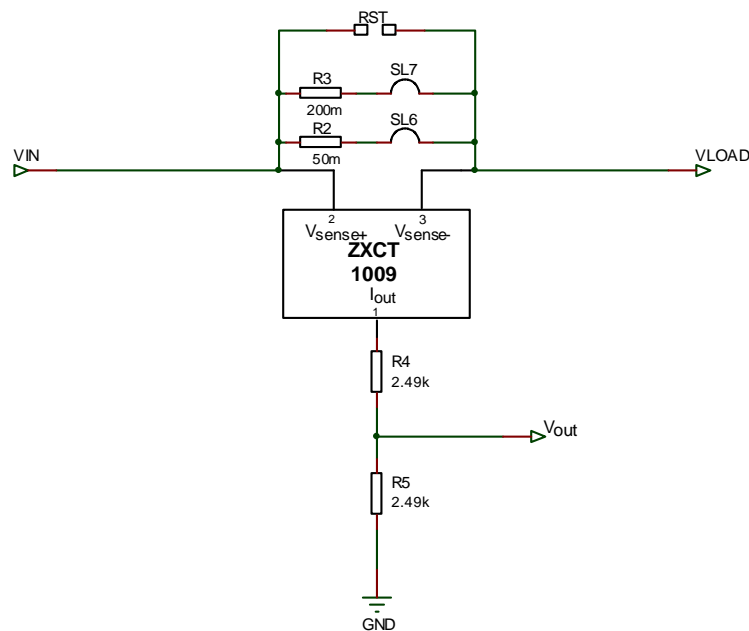
$V_{in(min)}$ = Minimum Supply Operating Voltage (V)
 V_{dp} = Dropout Voltage (V)
 $V_{out(max)}$ = Maximum Operating Output (V)

Accuracy

The ZXCT1008 current monitor IC is a 2.5%¹ accurate device. The accuracy of the output voltage will be influenced by the tolerance of the external resistors used. The ZXCT1008EV1 uses a 1% accurate sense resistor and a 0.1% accurate output resistors.

¹ Maximum error at 200mV

Schematic Diagram



Materials List

Ref	Value	Package	Part Number	Manufacturer	Notes
R1	Not fitted				Not fitted
R2	50mΩ	1206	LR1206	Welwyn	SMD Sense Resistor 1%
R3	200mΩ	1206	LR1206	Welwyn	SMD Sense Resistor 1%
R4	2.49K	0805			SMD ±25ppm 0.1%
R5	2.49k	0805			SMD ±25ppm 0.1%
ZXCT		SOT23	ZXCT1008F	ZETEX	

ZXCT1008EV1

Set-up and Test

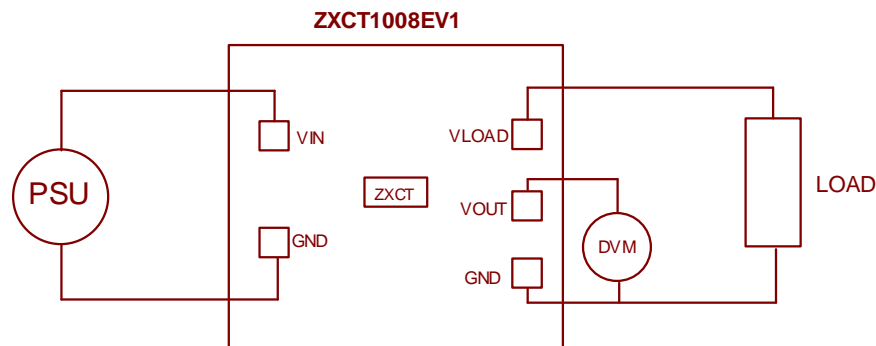
The board is preset to measure 0.5A. SL7 is shorted to connect in the 200mΩ sense resistor. To change the board to measure 2.0A, de-solder SL7 and short SL6.

0.5 Ampere load test

1. Ensure SL7 is shorted.
2. Connect a linear power supply of +10V between the VIN and GND terminals.
3. Set a load current of 0.5A.
4. Turn on the power supply
5. Check with a DVM the supply voltage is +10V between the VIN and GND terminals.
6. Measure VOUT with a DVM. The nominal output voltage should read 2.5V.

The output current can be set by using either an external power resistor or an electronic load. The accuracy of the current set will have an influence on the output voltage.

Connection Diagram

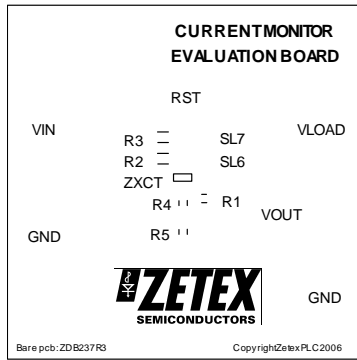


The ZXCT1008EV1 board can also be used to evaluate the ZXCT1009 and ZXCT1011 Zetex current monitor devices.

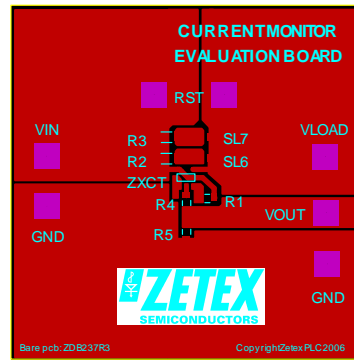
ZXCT1008EV1

ISSUE 3 – April 2007

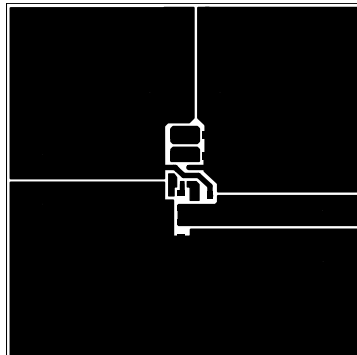
Layout



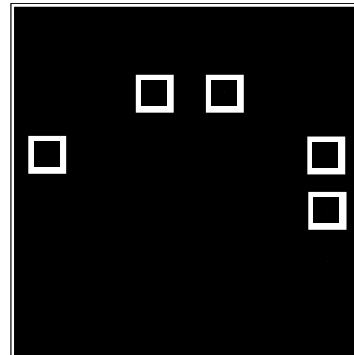
Top Silk



Top composite



Top Copper



Bottom Copper

Definitions

Product change

Zetex Semiconductors reserves the right to alter, without notice, specifications, design, price or conditions of supply of any product or service. Customers are solely responsible for obtaining the latest relevant information before placing orders.

Applications disclaimer

The circuits in this design/application note are offered as design ideas. It is the responsibility of the user to ensure that the circuit is fit for the user's application and meets with the user's requirements. No representation or warranty is given and no liability whatsoever is assumed by Zetex with respect to the accuracy or use of such information, or infringement of patents or other intellectual property rights arising from such use or otherwise. Zetex does not assume any legal responsibility or will not be held legally liable (whether in contract, tort (including negligence), breach of statutory duty, restriction or otherwise) for any damages, loss of profit, business, contract, opportunity or consequential loss in the use of these circuit applications, under any circumstances.

Life support

Zetex products are specifically not authorized for use as critical components in life support devices or systems without the express written approval of the Chief Executive Officer of Zetex Semiconductors plc. As used herein:

A. Life support devices or systems are devices or systems which:
1. are intended to implant into the body

or

2. support or sustain life and whose failure to perform when properly used in accordance with instructions for use provided in the labeling can be reasonably expected to result in significant injury to the user.

B. A critical component is any component in a life support device or system whose failure to perform can be reasonably expected to cause the failure of the life support device or to affect its safety or effectiveness.

Reproduction

The product specifications contained in this publication are issued to provide outline information only which (unless agreed by the company in writing) may not be used, applied or reproduced for any purpose or form part of any order or contract or be regarded as a representation relating to the products or services concerned.

Terms and Conditions

All products are sold subjects to Zetex' terms and conditions of sale, and this disclaimer (save in the event of a conflict between the two when the terms of the contract shall prevail) according to region, supplied at the time of order acknowledgement.

For the latest information on technology, delivery terms and conditions and prices, please contact your nearest Zetex sales office.

Quality of product

Zetex is an ISO 9001 and TS16949 certified semiconductor manufacturer.

To ensure quality of service and products we strongly advise the purchase of parts directly from Zetex Semiconductors or one of our regionally authorized distributors. For a complete listing of authorized distributors please visit: www.zetex.com/salesnetwork

Zetex Semiconductors does not warrant or accept any liability whatsoever in respect of any parts purchased through unauthorized sales channels.

ESD (Electrostatic discharge)

Semiconductor devices are susceptible to damage by ESD. Suitable precautions should be taken when handling and transporting devices. The possible damage to devices depends on the circumstances of the handling and transporting, and the nature of the device. The extent of damage can vary from immediate functional or parametric malfunction to degradation of function or performance in use over time. Devices suspected of being affected should be replaced.

Green compliance

Zetex Semiconductors is committed to environmental excellence in all aspects of its operations which includes meeting or exceeding regulatory requirements with respect to the use of hazardous substances. Numerous successful programs have been implemented to reduce the use of hazardous substances and/or emissions.

All Zetex components are compliant with the RoHS directive, and through this it is supporting its customers in their compliance with WEEE and ELV directives.

Product status key:

"Preview"	Future device intended for production at some point. Samples may be available
"Active"	Product status recommended for new designs
"Last time buy (LTB)"	Device will be discontinued and last time buy period and delivery is in effect
"Not recommended for new designs"	Device is still in production to support existing designs and production
"Obsolete"	Production has been discontinued

Datasheet status key:

"Draft version"	This term denotes a very early datasheet version and contains highly provisional information, which may change in any manner without notice.
"Provisional version"	This term denotes a pre-release datasheet. It provides a clear indication of anticipated performance. However, changes to the test conditions and specifications may occur, at any time and without notice.
"Issue"	This term denotes an issued datasheet containing finalized specifications. However, changes to specifications may occur, at any time and without notice.

Europe	Americas	Asia Pacific	Corporate Headquarters
Zetex GmbH Kustermann-park Balanstraße 59 D-81541 München Germany Telefon: (49) 89 45 49 49 0 Fax: (49) 89 45 49 49 49 europa.sales@zetex.com	Zetex Inc 700 Veterans Memorial Highway Hauppauge, NY 11788 USA Telephone: (1) 631 360 2222 Fax: (1) 631 360 8222 usa.sales@zetex.com	Zetex (Asia Ltd) 3701-04 Metroplaza Tower 1 Hing Fong Road, Kwai Fong Hong Kong Telephone: (852) 26100 611 Fax: (852) 24250 494 asia.sales@zetex.com	Zetex Semiconductors plc Zetex Technology Park, Chadderton Oldham, OL9 9LL United Kingdom Telephone (44) 161 622 4444 Fax: (44) 161 622 4446 hq@zetex.com

© 2006 Published by Zetex Semiconductors plc.