

Design Consideration with AT5503

Prepared by Cheng Zhi Peng
System Engineering Dept.

1. Introduction

The AT5503 is a current-mode step-down DC-DC converter, capable of driving a 3A load with high efficiency, especially high efficiency at light load, excellent line and load regulation. The AT5503 integrates cycle-by-cycle current limit protection, programmable soft-start, hiccup mode for short circuit protection and over temperature protection, which can notably increase the system reliability.

2. General Description

The AT5503 is a synchronous step-down converter with internal power MOSFETs. Turn on/off M1 and M2 alternately to chop the input voltage. The current sense signal is compared with the EA output signal to regulate the output voltage and adjust the MOSFETs' duty cycle. The AT5503 is also a high reliability IC with integrated OCP, OVP, OTP, UVLO circuit. For more information please refer to the functional block diagram (Figure 1).

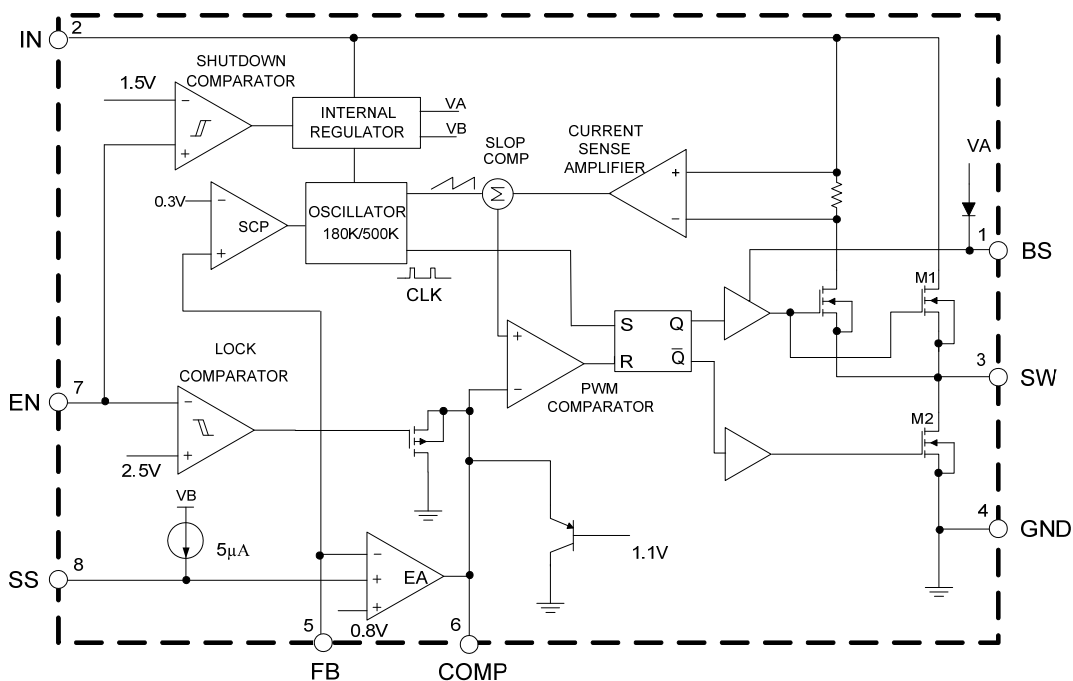


Figure 1. Functional Block Diagram of AT5503

2.1 Programmable Soft-start

The soft-start time of the AT5503 is fully user programmable by selecting different C_{SS} value. The C_{SS} is charged by a $5\mu\text{A}$ current source, generating a ramp signal fed into non-inverting input of the error amplifier. And this ramp signal will regulate the voltage on COMP pin when starting the system, thus realizing soft-start. The capacitor value required for a given soft-start ramp time can be expressed as:

$$C_{SS} = t_{SS} \times \frac{5\mu\text{A}}{V_{FB}}$$

Where C_{SS} is the required capacitor between SS pin and

GND, t_{SS} is the desired soft-start time and V_{FB} is the feedback voltage.

2.2 Over Current Protection

The AT5503 has internal over current protection function to protect itself from catastrophic failure. The AT5503 can monitor the drain-to-source current of M1. The peak current-limit threshold is internally set at 5.6A. When the inductor current is higher than the current limit threshold, OCP function will be triggered, forcing M1 to turn off, and this will last until the next switching cycle.

2.3 Short Circuit Protection

When the circuit is shorted, the output is connected to GND and FB voltage is lower than 0.3V, reducing the switching frequency to 180kHz. Meanwhile, the current flowing through inductor reaches the current limit threshold of upper-side switch, then the OCP function is triggered. After that, inductor current will be decreased and SS pin begins to discharge; when SS discharge voltage reaches to about 0.2V, the IC enters soft-start mode and charge to SS pin. Thus, inductor current increases slowly and triggers the current limit threshold of upper-side switch again. With that, SS pin discharges and inductor current decreases once more. This process will be repeated continually until the system release from SCP (short circuit protection) function and restart normally, as showed in Figure 2.

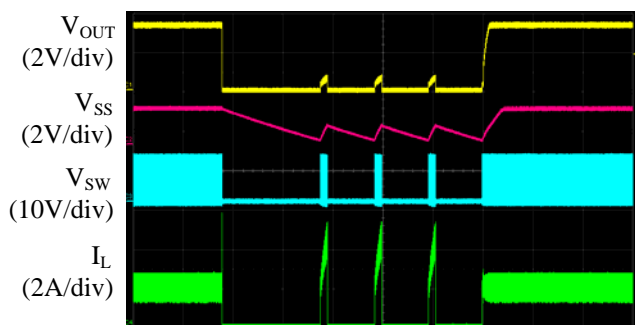


Figure 2. AT5503 Short Circuit Protection and Recovery

2.4 Over Voltage Protection

The AT5503 has internal OVP circuits. When V_{OUT} is higher than the OVP threshold, the power switching will

be turned off. The AT5503 will restart once released from OVP condition.

2.5 Over Temperature Protection

The OTP circuitry is provided to protect the IC if the maximum junction temperature is exceeded. When the junction temperature exceeds 160°C, it will shut down the internal control circuit, M1 and M2. The AT5503 will restart automatically under the control of soft-start circuit when the junction temperature decreases to 130°C.

2.6 High Efficiency at Light Load

When the systems work in light load, discontinuous conduction mode (DCM) is usually more advantage than continuous conduction mode (CCM). Since there'll be higher efficiency in DCM mode than CCM, it can supply more power if the loss power are same. The AT5503 is available for DCM, so it can achieve high efficiency at light load.

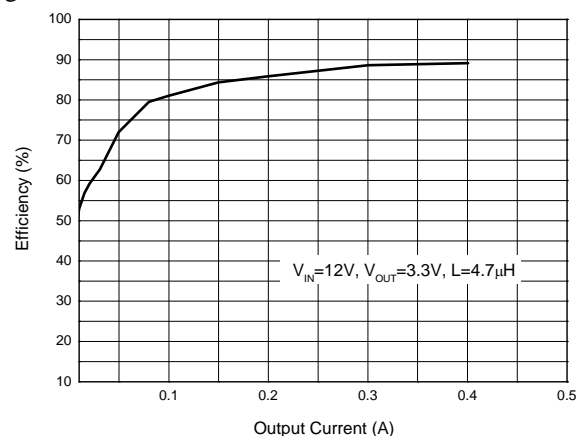


Figure 3. Efficiency vs. Output Current

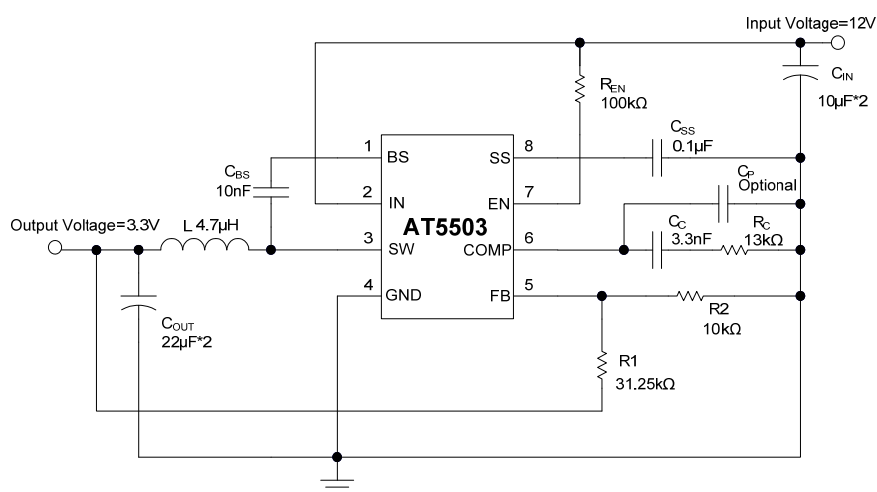


Figure 4. Typical Application of AT5503

3. Application Information

Typical application circuit is shown in Figure 4. For circuit parameters setting please refer to the following descriptions.

3.1 Output Voltage Setting

The output voltage can be set using a voltage divider from the output to FB pin. V_{OUT} is divided by the voltage divider as below:

$$V_{FB} = V_{OUT} \times \left(\frac{R2}{R1 + R2} \right)$$

Where V_{FB} is the feedback voltage, and $V_{FB}=0.8V$. Thus, V_{OUT} can be expressed as:

$$V_{OUT} = 0.8 \times \left(\frac{R1 + R2}{R2} \right)$$

First, fix R2 based on the recommended value, 10kΩ. Then, R1 can be expressed as:

$$R1 = R2 \times \left(\frac{V_{OUT}}{0.8} - 1 \right)$$

3.2 Inductor Setting

The inductor is used to supply smooth current to output when driven by a switching voltage. Its value relies on the operating frequency, load current, ripple current, and duty cycle.

A higher-value inductor can decrease the ripple current and output ripple voltage, however usually with larger physical size. So some compromise needs to be made when selecting the inductor. The peak-to-peak inductor ripple current is 26% of the maximum output current when operating in continuous mode (In most applications, a good compromise is from 20% to 30% of the maximum load current of the converter), and the inductor L can be selected according to:

$$L = V_{OUT} \times \frac{V_{IN} - V_{OUT}}{f_{SW} \times V_{IN} \times I_{OUT} \times 26\%}$$

Where V_{IN} is the input voltage, I_{OUT} is the output current, and f_{SW} is the oscillator frequency.

Another important parameter for the inductor is the current rating. After fixing the inductor value, the peak inductor current can be expressed as:

$$I_{PEAK} = I_{OUT} + \frac{(V_{IN} - V_{OUT}) \times V_{OUT}}{2 \times V_{IN} \times f_{SW} \times L}$$

Where I_{PEAK} is the peak inductor current.

The current rating of the selected inductor should be ensured to be 1.5 times of the peak inductor current.

3.3 Input Capacitor Setting

A high-quality input capacitor with big value is needed to filter noise at input voltage source and limit the input ripple voltage while supplying most of the switch current during ON time. For input capacitor selection, a ceramic capacitor is highly recommended due to its low impedance and small size. However, tantalum or low electrolytic capacitor is also sufficed.

There are two important parameters of the input capacitor: the voltage rating and RMS current rating. The voltage rating should be at least 1.25 times greater than the maximum input voltage, and the RMS current of input capacitor can be expressed as:

$$I_{CIN_RMS} = I_{OUT}(MAX) \times \sqrt{\frac{V_{OUT}}{V_{IN}} \left(1 - \frac{V_{OUT}}{V_{IN}} \right)}$$

Where I_{CIN_RMS} is the RMS current of input capacitor.

As indicated by the RMS current equation above, I_{CIN_RMS} reaches the highest level at the duty cycle of 50%. So the RMS current of input capacitor should be greater than half of the output current under this worst case. For reliable operation and best performance, ceramic capacitors are preferred for input capacitor because of their low ESR and high ripple current rating. And X5R or X7R type dielectric ceramic capacitors are preferred due to their better temperature and voltage characteristics. Additionally, when selecting ceramic capacitor, make sure its capacitance is big enough to provide sufficient charge to prevent excessive voltage ripple at input. The input ripple voltage can be approximately expressed as below:

$$\Delta V_{IN} = \frac{I_{OUT}}{f_{SW} \times C_{IN}} \times \left(1 - \frac{V_{OUT}}{V_{IN}} \right) \times \frac{V_{OUT}}{V_{IN}}$$

Where ΔV_{IN} is the input ripple voltage.

3.4 Output Capacitor Setting

The output capacitor can be selected based upon the desired output ripple and transient response. The output voltage ripple depends directly on the ripple current and is affected by two parameters of the output capacitor: total capacitance and the Equivalent Series Resistance (ESR).

The output ripple voltage can be expressed as:

$$\Delta V_O = \Delta I_L \times \left[R_{ESR} + \left(\frac{I}{8 \times C_{OUT} \times f_{SW}} \right) \right]$$

Where ΔV_O is the output ripple voltage, and R_{ESR} is ESR of output capacitor.

For lower output ripple voltage across the entire operating temperature range, X5R or X7R ceramic dielectric capacitor, or other low ESR tantalum capacitor or aluminum electrolytic capacitor are recommended.

The output capacitor selection will also affect the output drop voltage during load transient. The output drop voltage during load transient is dependent on many factors. However, an approximation of the transient drop ignoring loop bandwidth can be expressed as:

$$V_{DROP} = \Delta I_{TRAN} \times R_{ESR} + \frac{L \times \Delta I_{TRAN}^2}{C_{OUT} \times (V_{IN} - V_{OUT})}$$

Where ΔI_{TRAN} is the output transient load current step, and V_{DROP} is the output voltage drop (ignoring loop bandwidth).

Both the voltage rating and RMS current rating of the capacitor needs to be carefully examined when designing a specific output ripple or transient drop. The output capacitor voltage rating should be greater than 1.5 times of the maximum output voltage. In the buck converter, output capacitor current is continuous. The RMS current is decided by the peak-to-peak inductor ripple current. It can be expressed as:

$$I_{COUT_RMS} = \frac{\Delta I_L}{\sqrt{12}}$$

Where I_{COUT_RMS} is the RMS current of output capacitor.

3.5 Loop Compensation

The AT5503 employs current-mode control to achieve easy compensation and fast dynamic response. Optimal loop compensation depends on the output capacitor, inductor, load, compensation network and also the device itself.

For different V_{IN}/V_{OUT} value, the loop transfer function should be analyzed to optimize the loop compensation. The overall loop transfer function is the product of the power stage and the feedback network transfer function. The power stage transfer function is dictated by the modulator, the output LC filter and load. The feedback transfer function is dictated by the error amplifier gain, external compensation network and feedback resistor ratio. The purpose of loop compensation is to shape the loop transfer

function in order to meet the desired loop gain. The crossover frequency should be set firstly. Because lower crossover frequency may result in slower line/load transient responses, while higher crossover frequency may result in system instability. A good compromise is to set the crossover frequency below 10% of the switching frequency. The crossover frequency (f_C) can be expressed as below:

$$f_C = \left(\frac{G_{EA} \times G_{CS} \times R_C}{2\pi \times C_{OUT}} \times \frac{V_{FB}}{V_{OUT}} \right) < 0.1 \times f_{SW}$$

Where f_C is the crossover frequency, G_{EA} is the error amplifier transconductance, G_{CS} is the current sense trans-conductance. And the desired crossover frequency can be set via compensation resistor R_C .

For sufficient phase margin, the loop gain slope should be -20db/decade at the cross frequency. To suffice this requirement, the output filter pole (f_{P_OUT}), which is product by output capacitor and the load resistor, should be cancelled by the zero point of error amplifier (f_{Z_EA}) due to the compensation capacitor (C_C) and the output resistor of the error amplifier. They can be expressed as:

$$f_{P_OUT} = \left(\frac{1}{2\pi \times C_{OUT} \times R_{OUT}} \right)$$

$$f_{Z_EA} = \left(\frac{1}{2\pi \times C_C \times R_C} \right)$$

Where, f_{P_OUT} is the output filter pole and f_{Z_EA} is the zero point of error amplifier.

In general, we can set f_{Z_EA} below one-fourth of the f_C . So the value of C_C is determined by the following equation:

$$C_C > \frac{4}{2\pi \times R_C \times f_C}$$

R_C and C_C should be set appropriately to make sure the system work at the desired transient voltage drop and setting time. If the output capacitor has a large capacitance and/or a high ESR value, the zero point resulting from the output capacitor as well as its ESR should be considered. In this case, the additional capacitor (C_P) should be placed between the COMP pin and GND. And, C_P can add a pole to the circuit, thus increasing the mid-frequency width of the control circuit.

$$f_{Z_ESR} = \left(\frac{I}{2\pi \times C_{OUT} \times R_{ESR}} \right)$$

Where f_{Z_ESR} is the zero point of output filter. If needed, the value of C_p can be expressed as:

$$C_p = \frac{C_{OUT} \times R_{ESR}}{R_C}$$

3.6 Bootstrap Capacitor

The bootstrap capacitor provided is used to drive the power switch's gate above the supply voltage. The bootstrap capacitor is supplied by an internal 5V supply and placed between SW pin and BS pin to form a floating supply across the power switch driver. So the bootstrap capacitor should be a good quality and high-frequency ceramic capacitor. For best performance, the bootstrap capacitor should be X5R and X7R ceramic capacitor, and is recommended to be 10nF.

4. PCB Layout Guidance

PCB layout is an important part for DC-DC converter design. Poor PCB layout may reduce the converter performance and disrupt its surrounding circuitry due to EMI. A good PCB layout should follow below guidance:

4.1 Power Path Length

The power path of AT5503 includes an input capacitor, output inductor and output capacitor. Place them on the

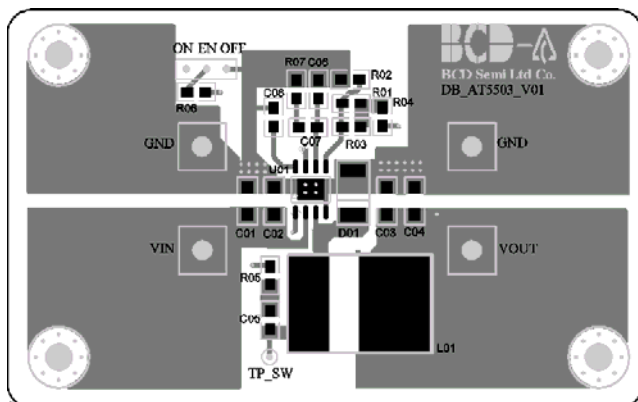


Figure 5. Top Layer

same side of PCB and connect them with thick traces or copper planes on the same layer. The power components must be kept together closely. The longer the paths, the more they act as antennas, radiating unwanted EMI.

4.2 Coupling Noise

The external control components should be placed as close to the IC as possible.

4.3 Feedback Net

Special attention should be paid to the route of the feedback ring. The feedback trace should be routed far away from the inductor and noisy power traces. Try to minimize trace length to the FB pin and connect feedback network behind the output capacitors.

4.4 Via Hole

Be careful to the via hole. Via hole will result in high resistance and inductance to the power path. If heavy switching current must be routed through via holes and/or internal planes, use multiple parallel via holes to reduce their resistance and inductance.

Typical examples of AT5503 PCB layer are shown in Figure 5, 6.

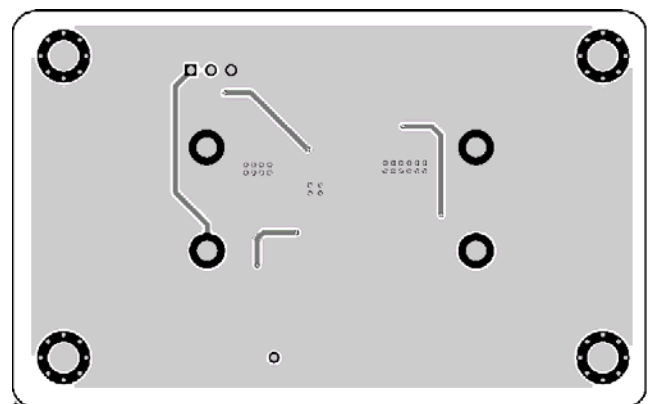


Figure 6. Bottom Layer

5. Recommended Components for Some Standard Output Voltages

The output voltage of these boards is set to 3.3V. The boards are laid out to accommodate most commonly used inductors and output capacitors and to be programmed for

most standard output voltages. The following table lists recommended components for some standard output voltages. Listed compensation components (R_C , C_C) values are based on the output capacitors installed on these boards.

Part Number	$V_{IN}/V_{OUT}(V)$	$R_1(k\Omega)$	$R_C(k\Omega)$	$C_C(nF)$	$L(\mu H)$
AT5503	5/1.2	5	4.3	6.8	2.2
	5/1.8	12.5	5.6	6.8	2.2
	5/2.5	21.25	10	6.8	2.2
	5/3.3	31.25	10	5.6	4.7
	12/1.2	5	4.3	6.8	2.2
	12/1.8	12.5	6.8	6.8	2.2
	12/2.5	21.25	10	5.6	2.2
	12/3.3	31.25	13	3.3	4.7
	12/5.0	52.5	13	2.2	6.8

Table 1. AT5503 Compensation Value R-C Combination