

DN67

ZXSC400 solution for 1W high powered LED

Mike Farley, Field Applications Engineer. December 2003

Description

The ZXSC400, although designed for small LEDs in LCD backlighting, is sufficiently flexible to provide an efficient 1W solution producing a nominal 350mA constant current source from 2 NiMH or NiCd cells.

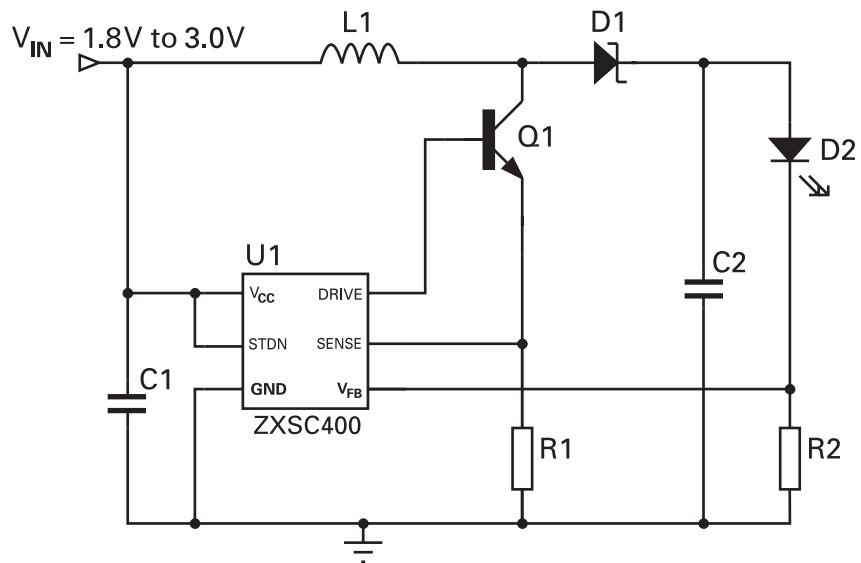


Figure 1 Schematic diagram

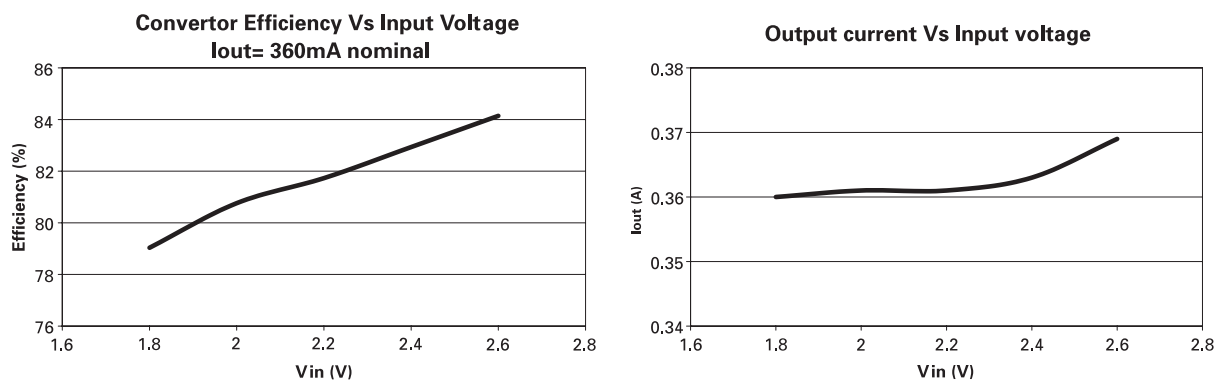


Figure 2 Performance graphs

DN67

Reference	Part number	Value	Manufacturer	Contact details
U1	ZXSC400E6		Zetex	www.zetex.com
Q1	FMMT617		Zetex	www.zetex.com
D1	ZHCS2000		Zetex	www.zetex.com
D2	LXHL-NW98		Lumileds	www.lumileds.com
L1	DO1608C-332	3.3 μ H	Coilcraft	www.coilcraft.com
C1	GRM42-6X5R226K6.3	22 μ F	Murata	www.murata.com
C2	GRM42-6X5R226K6.3	22 μ F	Murata	www.murata.com
R1 ⁽¹⁾		17m Ω	Generic	NA
R2		0.82 Ω	Generic	NA

Table 1 Bill of materials

NOTES:

(1) Actual in-circuit value, see notes overleaf

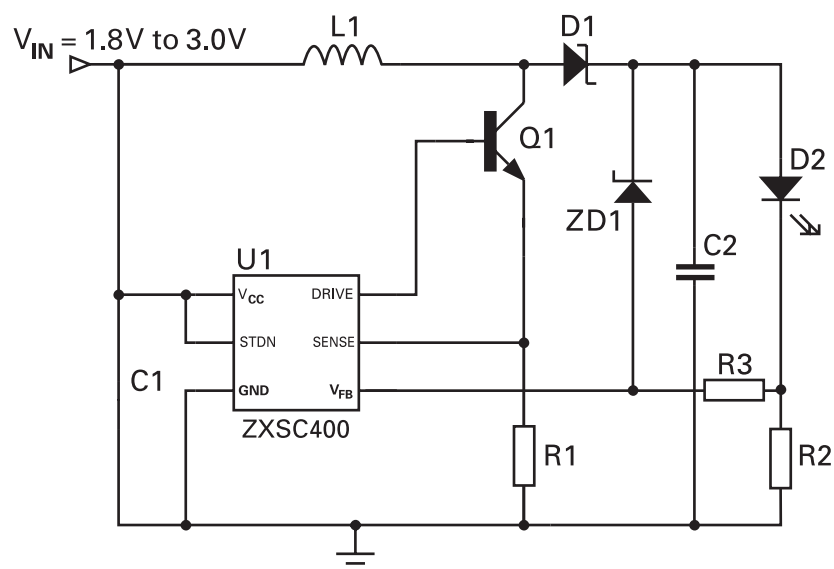


Figure 3 Open circuit protection

Additional BoM

AD1 - 5V6

R3 - 1K Ω

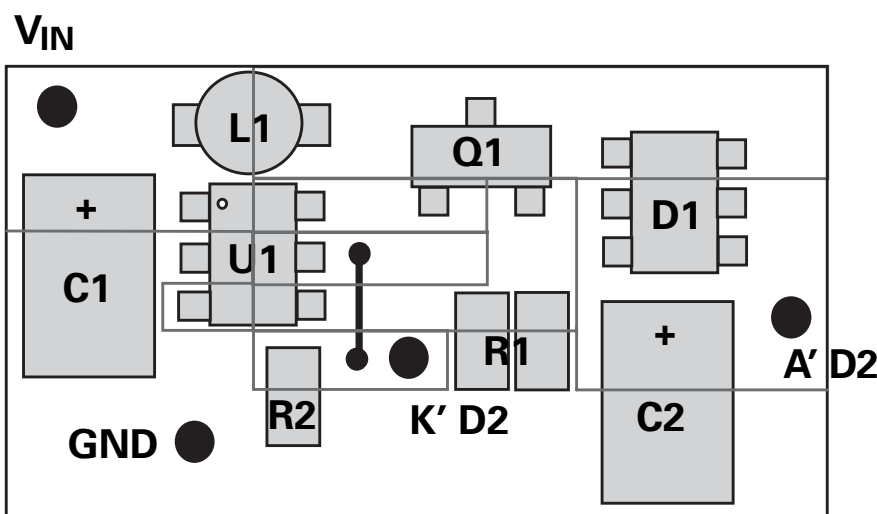


Figure 4 Layout suggestion

Note

For these approximate layout dimensions, R1 is 15mΩ. See note 3.

Notes:

1. D1 can be exchanged with a SOT23 ZHCS1000 with a loss of 5% efficiency.
2. Inductor DCR (DC resistance) strongly influences efficiency, keep below 0.1Ω.
3. R1 is small and it is strongly advised to take track resistance into account. A proven method is to source a 1A current from the Sense pin to the GND pin and check for 16-17mV. This resistor can be made from a 22mΩ in parallel with a 47mΩ (or a single 15mΩ resistor if available) with the PCB trace contributing the difference.
4. Open circuit protection can be added as shown below. The voltage rating of the small signal Zener diode ZD1 is not critical. It must be greater than the maximum forward voltage of the LED and less than the maximum V_{CE} rating of the switching transistor, 15V in the case of the FM617. The supply current in the open circuit condition is around 2mA.

DN67

Intentionally left blank

Europe	Americas	Asia Pacific	Corporate Headquarters
Zetex GmbH Streitfeldstraße 19 D-81673 München Germany	Zetex Inc 700 Veterans Memorial Highway Hauppauge, NY 11788 USA	Zetex (Asia Ltd) 3701-04 Metroplaza Tower 1 Hing Fong Road, Kwai Fong Hong Kong	Zetex Semiconductors plc Zetex Technology Park, Chadderton Oldham, OL9 9LL United Kingdom
Telefon: (49) 89 45 49 49 0 Fax: (49) 89 45 49 49 49 europe.sales@zetex.com	Telephone: (1) 631 360 2222 Fax: (1) 631 360 8222 usa.sales@zetex.com	Telephone: (852) 26100 611 Fax: (852) 24250 494 asia.sales@zetex.com	Telephone: (44) 161 622 4444 Fax: (44) 161 622 4446 hq@zetex.com

For international sales offices visit www.zetex.com/offices

Zetex products are distributed worldwide. For details, see www.zetex.com/salesnetwork

This publication is issued to provide outline information only which (unless agreed by the company in writing) may not be used, applied or reproduced for any purpose or form part of any order or contact or be regarded as a representation relating to the products or services concerned. The company reserves the right to alter without notice the specification, design, price or conditions of supply of any product or service.
